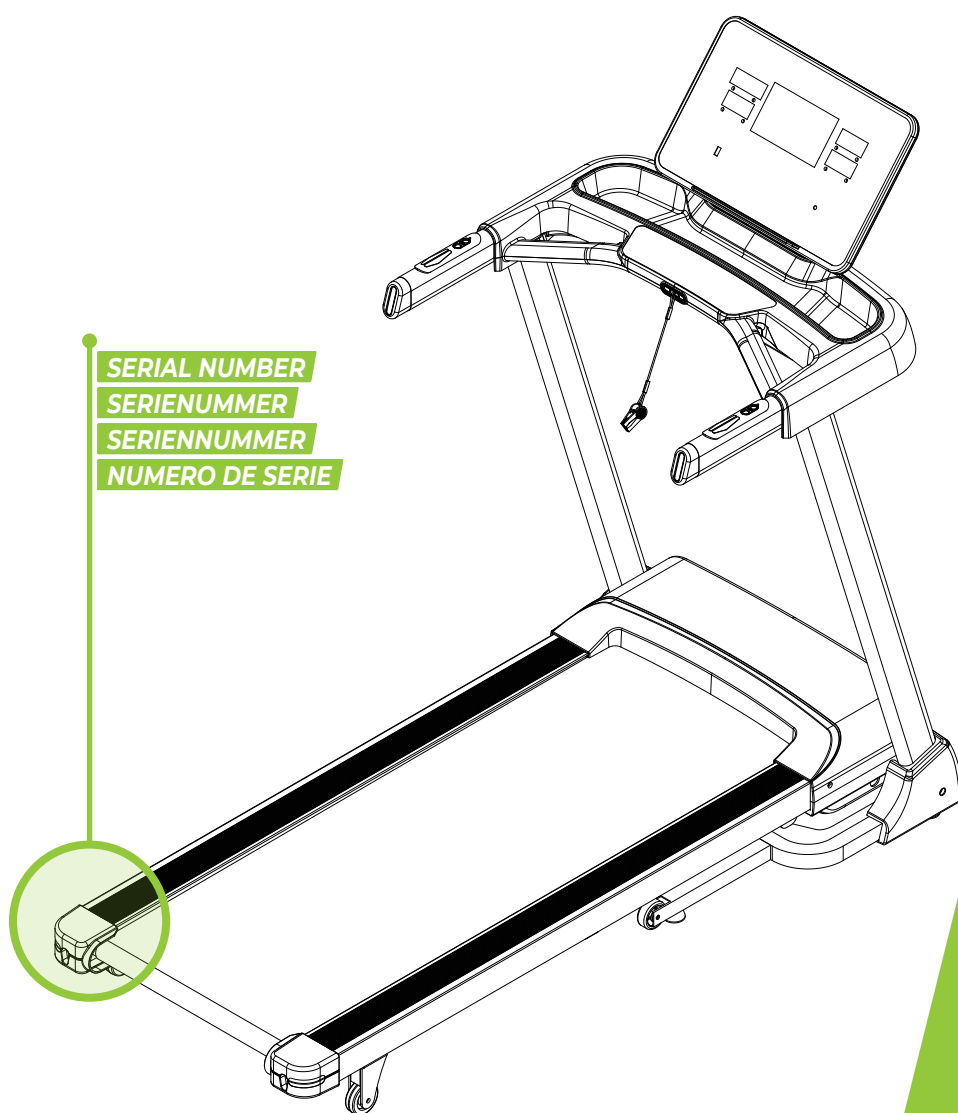


virtufit

TR100i
VF20311



SERIAL NUMBER
SERIENUMMER
SERIENNUMMER
NUMERO DE SERIE

USER MANUAL

HOW TO
RECYCLE



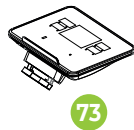
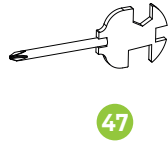
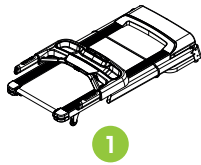
ASSEMBLY
VIDEO



Instagram icon @virtufit_fitness
YouTube icon VirtuFit
Globe icon www.virtufit.com

TOOLKIT

TOOLKIT



#	DESCRIPTION	QTY
1	Main frame group	1
45	Hexagon wrench #5 - 5mm	1
34	Left bottom cover	1
46	Oil bottle	1
50	Hexagon socket flat round head screw	6
55	Hexagon socket flat round head screw	2
92	Power cable	1
88	Hexagon socket head screw	2

#	DESCRIPTION	QTY
47	With cross wrench - S=13/14/15mm	1
91	Hexagon wrench #6 - 6mm	1
35	Right bottom cover	1
44	Safety lock	1
51	Arc gasket - 20*8*1.5	4
67	Cross recessed pan head self-tap pin and self-drilling screws - ST4.2*19	2
73	Panel assembly	1
94	Flat washer - 20*8*2	2

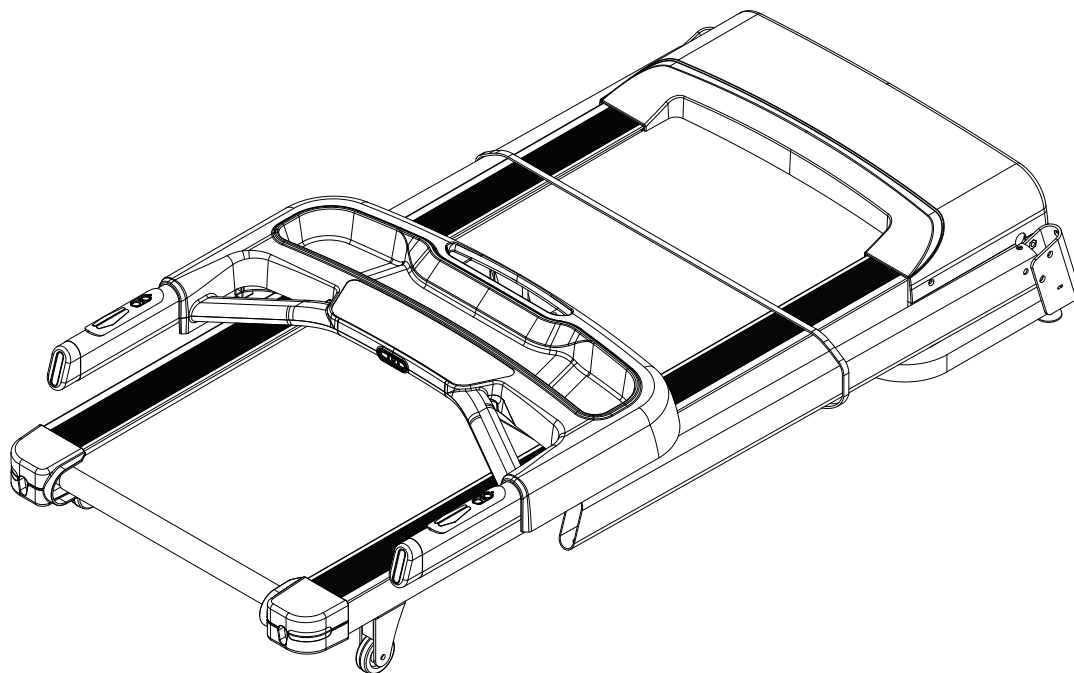
NOTE! Do not connect the unit to the power supply until it is fully assembled.

LET OP! Sluit het toestel pas aan op het stroom wanneer het volledig is gemonteerd.

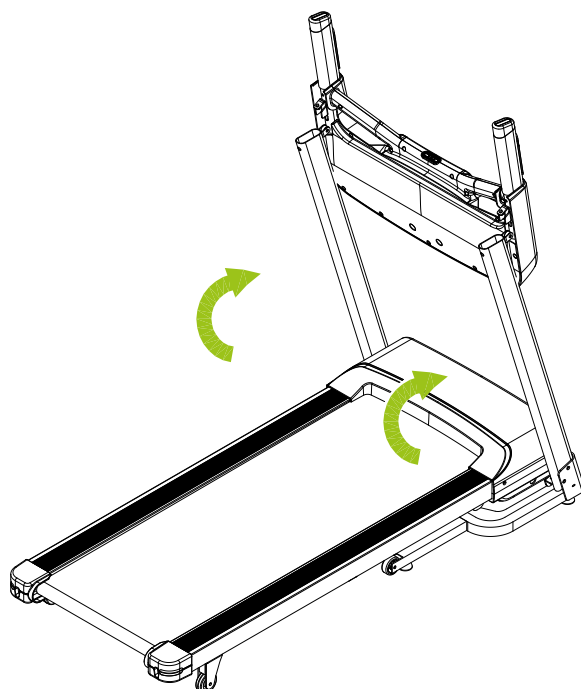
HINWEIS! Schließen Sie das Gerät erst dann an das Stromnetz an, wenn es vollständig montiert ist.

REMARQUE! Ne connectez pas l'appareil à l'alimentation électrique avant qu'il ne soit entièrement assemblé.

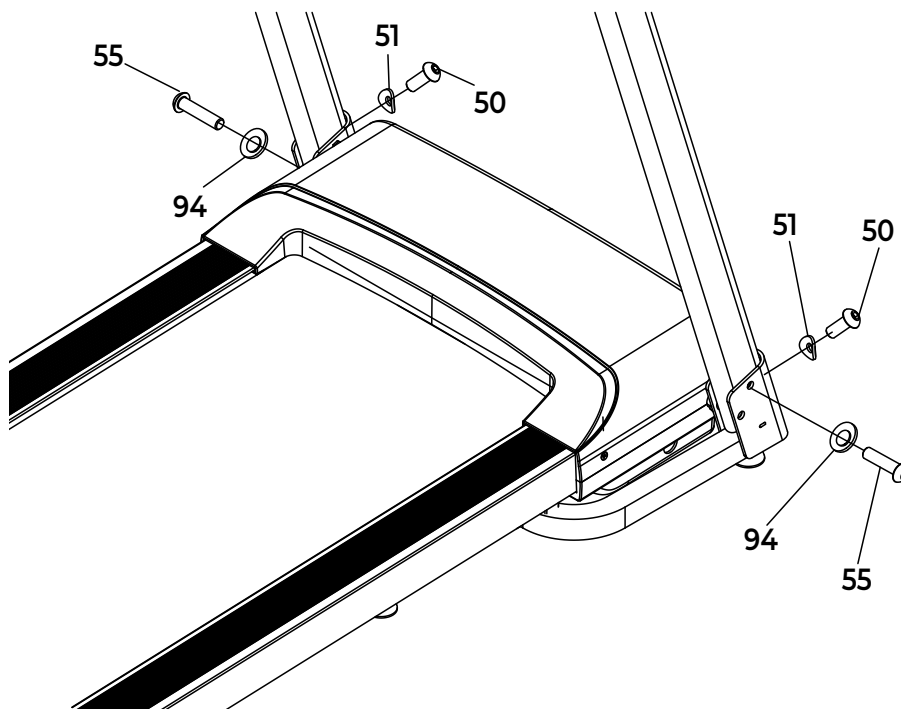
STEP 01



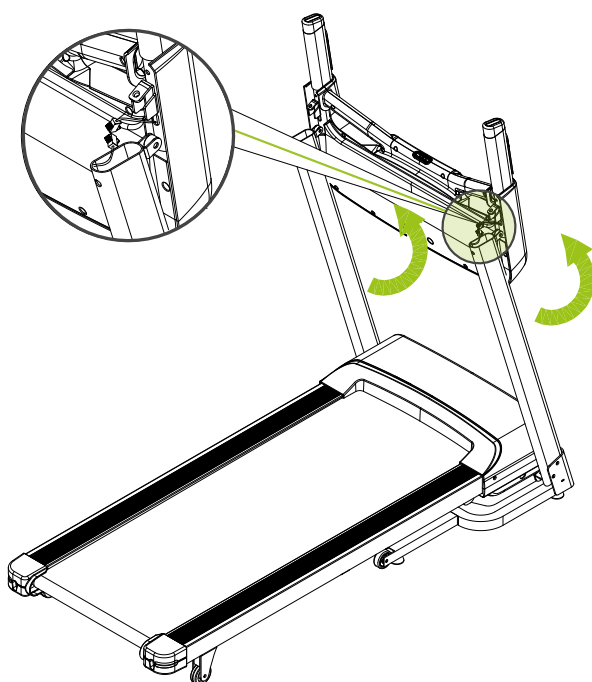
STEP 02



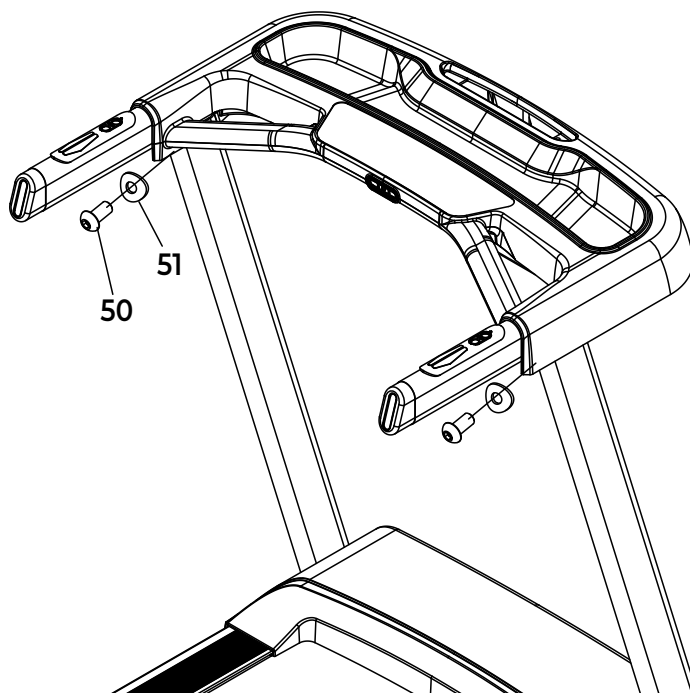
STEP 03



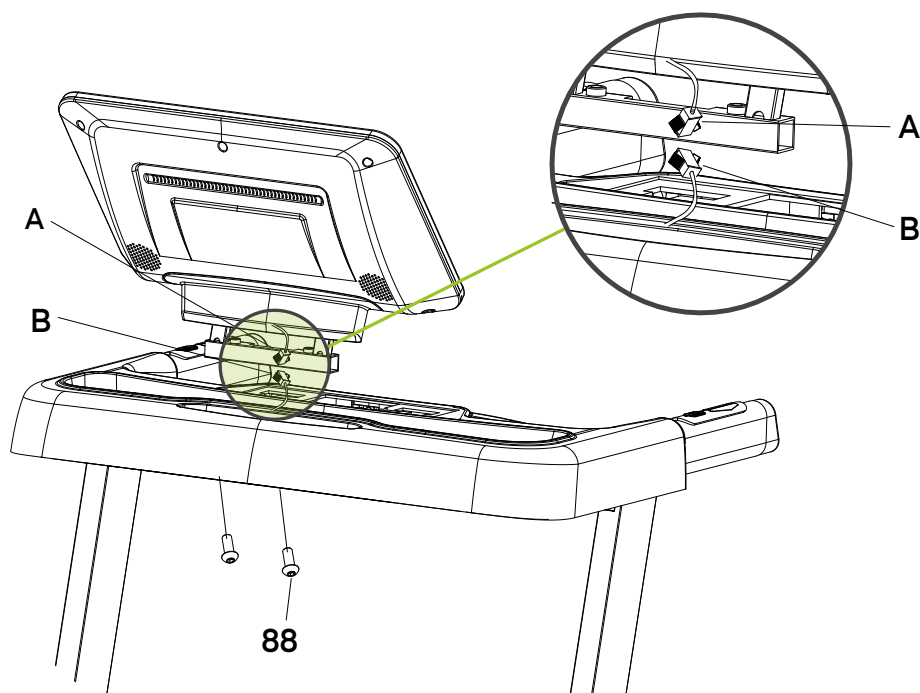
STEP 04



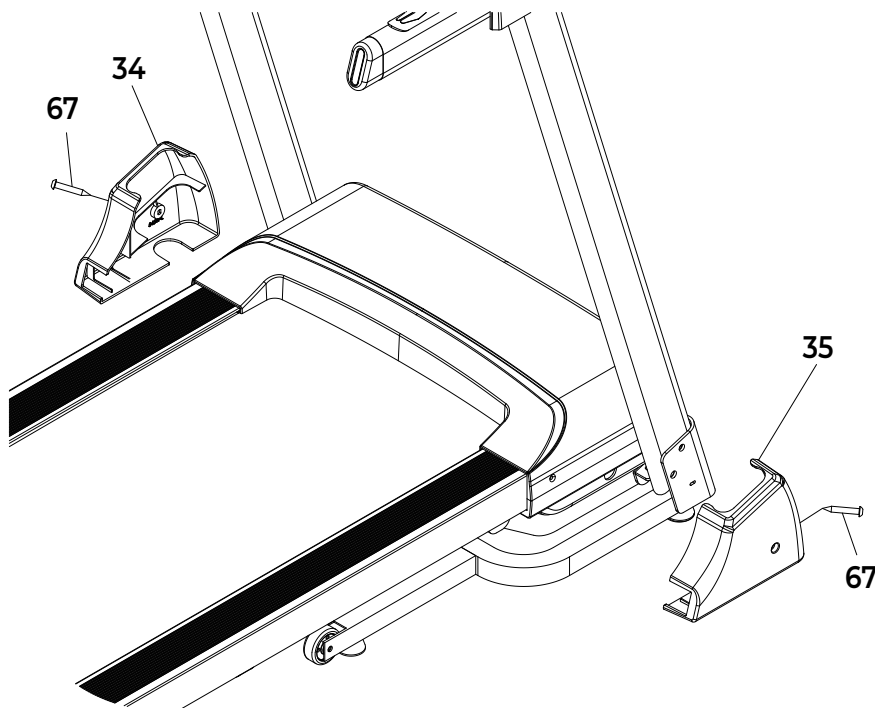
STEP 05



STEP 06



STEP 07



STEP 08

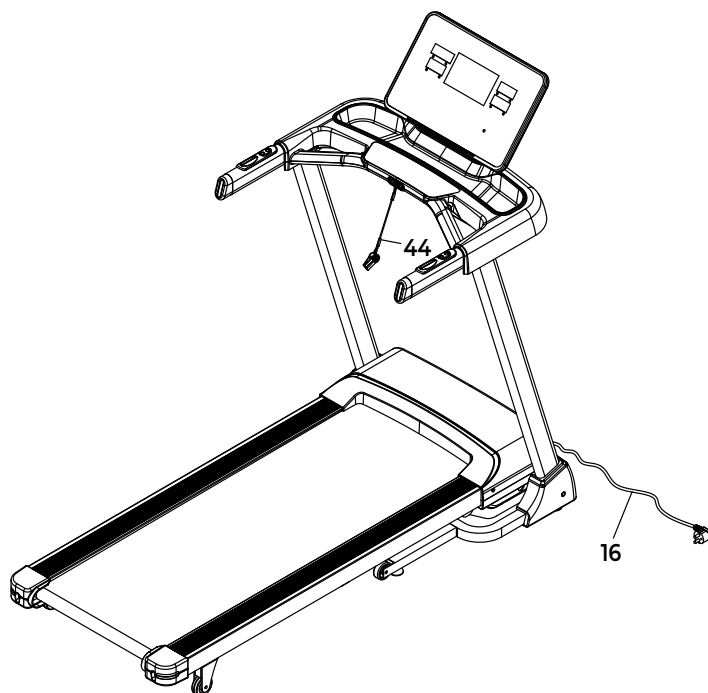


FIG. A

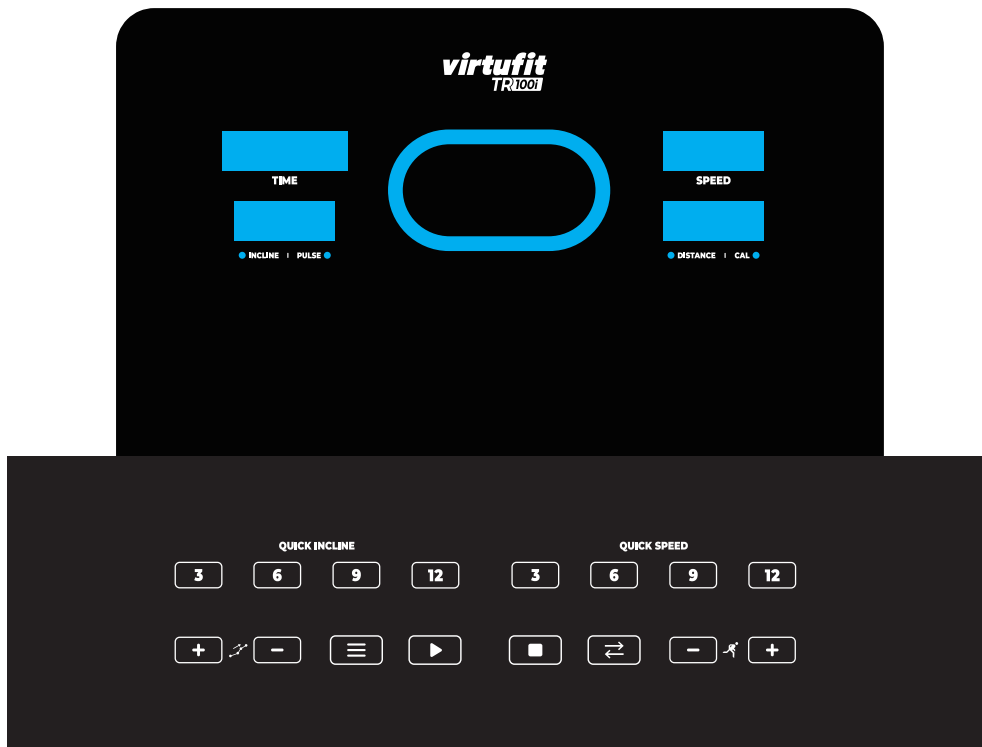


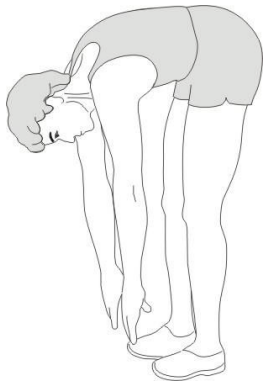
FIG. B

Program		Time	Set the set time/20 time periods = the running time of the upper and lower time periods																			
			1	2	3	4	5	6	7	8	9	10	11	12	13	14	15	16	17	18	19	20
P01	SPEED	2	3	3	4	5	3	4	5	5	3	4	5	4	4	4	2	3	3	5	3	
	INCLINE	1	1	2	2	2	3	3	3	2	2	1	2	2	1	1	3	3	2	2	2	
P02	SPEED	2	4	4	5	6	4	6	6	6	4	5	6	4	4	4	2	2	5	4	2	
	INCLINE	1	2	2	2	2	3	3	2	2	2	2	3	3	3	4	4	4	3	2	2	
P03	SPEED	2	4	4	6	6	4	7	7	7	4	7	7	4	4	4	2	4	5	3	2	
	INCLINE	2	3	3	2	2	3	3	3	2	2	2	2	4	4	4	6	6	3	2	2	
P04	SPEED	3	5	5	6	7	7	5	7	7	8	8	5	9	5	5	6	6	4	4	3	
	INCLINE	2	3	3	2	2	3	3	3	2	2	2	2	4	4	4	6	6	3	2	2	
P05	SPEED	2	4	4	5	6	7	7	5	6	7	8	8	5	4	3	3	6	5	4	2	
	INCLINE	3	3	3	4	4	5	5	5	4	4	4	5	5	3	3	3	2	2	2	2	
P06	SPEED	2	4	4	4	5	6	8	8	6	7	8	8	6	4	4	2	5	4	3	2	
	INCLINE	3	5	5	5	4	4	4	3	3	3	3	4	4	4	3	3	3	4	3	2	
P07	SPEED	2	3	3	3	4	5	3	4	5	3	4	5	3	3	3	6	6	5	3	3	
	INCLINE	4	4	4	4	3	3	6	6	6	7	7	8	8	9	9	6	6	5	4	4	
P08	SPEED	2	3	3	6	7	7	4	6	7	4	6	7	4	4	4	2	3	4	4	2	
	INCLINE	4	5	5	5	6	6	6	7	8	9	9	9	9	10	10	12	12	8	6	3	
P09	SPEED	2	4	4	7	7	4	7	8	4	8	9	9	4	4	4	5	6	3	3	2	
	INCLINE	5	5	5	6	6	6	4	4	6	6	5	5	8	8	9	9	9	7	4	2	
P10	SPEED	2	4	5	6	7	5	4	6	8	8	6	6	5	4	4	2	4	4	3	3	
	INCLINE	5	6	6	6	7	5	8	8	4	4	4	5	5	8	8	10	10	8	6	3	
P11	SPEED	2	5	8	10	7	7	10	10	7	7	10	10	5	5	9	9	5	5	4	3	
	INCLINE	4	5	3	2	6	6	2	2	2	2	4	5	6	3	2	5	5	2	0	0	
P12	SPEED	3	4	9	9	5	9	5	8	5	9	7	5	5	7	9	9	5	7	6	3	
	INCLINE	1	2	3	2	3	5	5	0	0	2	3	5	7	3	3	5	6	5	3	3	
P13	SPEED	3	6	7	5	9	9	7	5	5	7	9	5	8	5	9	5	9	9	4	3	
	INCLINE	3	3	5	6	5	3	3	7	5	3	2	0	0	5	5	3	2	3	2	1	
P14	SPEED	2	2	4	5	6	5	4	3	2	1	2	3	4	5	6	5	4	3	2	1	
	INCLINE	4	4	4	4	3	3	6	6	6	7	7	8	8	9	9	6	6	5	4	4	
P15	SPEED	2	4	6	8	6	6	4	4	2	2	2	4	6	8	6	6	4	4	2	2	
	INCLINE	3	3	3	4	4	5	5	4	4	4	4	4	5	5	3	3	3	2	2	2	
P16	SPEED	2	4	6	8	10	8	6	4	2	2	2	4	6	8	6	6	4	4	2	2	
	INCLINE	5	5	5	6	6	6	4	4	6	6	5	5	8	8	9	9	9	7	4	1	
P17	SPEED	2	2	6	6	8	10	6	6	2	2	2	2	6	6	8	10	6	6	2	2	
	INCLINE	4	5	5	5	6	6	6	7	8	9	9	9	10	10	12	12	8	6	3	3	
P18	SPEED	2	3	4	5	2	3	4	5	3	2	2	3	4	5	2	3	4	5	3	2	
	INCLINE	4	4	4	4	3	3	6	6	6	7	7	8	8	9	9	6	6	5	3	2	
P19	SPEED	2	4	6	2	4	6	2	4	6	2	2	4	6	2	4	6	2	4	6	2	
	INCLINE	3	5	5	5	4	4	4	3	3	3	3	4	4	4	3	3	3	4	3	2	
P20	SPEED	1	3	4	5	6	5	4	3	2	1	1	3	4	5	6	5	4	3	2	1	
	INCLINE	3	3	3	4	4	5	5	5	4	4	4	4	5	5	3	3	3	2	2	2	

FIG. B

P21	SPEED	2	3	3	4	5	3	4	5	5	3	4	5	4	4	4	2	3	3	5	3
	INCLINE	1	1	2	2	2	3	3	3	2	2	1	2	2	1	1	3	3	2	2	2
P22	SPEED	2	4	4	5	6	4	6	6	6	4	5	6	4	4	4	2	2	5	4	2
	INCLINE	1	2	2	2	2	3	3	2	2	2	2	2	3	3	3	4	4	3	2	2
P23	SPEED	2	4	4	6	6	4	7	7	7	4	7	7	4	4	4	2	4	5	3	2
	INCLINE	2	3	3	2	2	3	3	3	2	2	2	2	4	4	4	6	6	3	2	2
P24	SPEED	3	5	5	6	7	7	5	7	7	8	8	5	9	5	5	6	6	4	4	3
	INCLINE	2	3	3	2	2	3	3	3	2	2	2	2	4	4	4	6	6	3	2	2
P25	SPEED	2	4	4	5	6	7	7	5	6	7	8	8	5	4	3	3	6	5	4	2
	INCLINE	3	3	3	4	4	5	5	5	4	4	4	4	5	5	3	3	3	2	2	2
P26	SPEED	2	4	4	4	5	6	8	8	6	7	8	8	6	4	4	2	5	4	3	2
	INCLINE	3	5	5	5	4	4	4	3	3	3	3	4	4	4	3	2	3	4	3	2
P27	SPEED	2	3	3	3	4	5	3	4	5	3	4	5	3	3	3	6	6	5	3	3
	INCLINE	4	4	4	4	3	3	6	6	6	7	7	8	8	9	9	6	6	5	3	3
P28	SPEED	2	3	3	6	7	7	4	6	7	4	6	7	4	4	4	2	3	4	4	2
	INCLINE	4	5	5	5	6	6	6	7	8	9	9	9	10	10	10	12	12	8	6	3
P29	SPEED	2	4	4	7	7	4	7	8	4	8	9	9	4	4	4	5	6	3	3	2
	INCLINE	5	5	5	6	6	6	4	4	6	6	5	5	8	8	9	9	9	7	4	2
P30	SPEED	2	4	5	6	7	5	4	6	8	8	6	6	5	4	4	2	4	4	3	3
	INCLINE	5	6	6	6	7	5	8	8	4	4	4	5	5	8	8	10	10	8	6	3
P31	SPEED	2	5	8	10	7	7	10	10	7	7	10	10	6	6	9	9	5	5	4	3
	INCLINE	4	5	3	2	6	6	2	2	2	2	4	5	6	3	2	5	5	2	0	
P32	SPEED	3	4	9	9	5	9	5	8	5	9	7	5	5	7	9	9	5	7	6	3
	INCLINE	1	2	3	2	3	5	5	0	0	2	3	5	7	3	3	5	6	5	3	3
P33	SPEED	3	4	9	9	5	9	5	8	5	9	7	5	5	7	9	9	5	7	6	3
	INCLINE	1	2	3	2	3	5	5	0	0	2	3	5	7	3	3	5	6	5	3	3
P34	SPEED	2	2	4	5	6	5	4	3	2	1	2	3	4	5	6	5	4	3	2	1
	INCLINE	1	1	1	1	1	1	1	1	1	1	1	1	1	1	1	1	1	1	1	1
P35	SPEED	2	4	6	8	6	6	4	4	2	2	2	4	6	8	6	6	4	4	2	2
	INCLINE	1	1	1	1	1	1	1	1	1	1	1	1	1	1	1	1	1	1	1	1
P36	SPEED	2	4	6	8	10	8	6	4	2	2	2	4	6	8	6	6	4	4	2	2
	INCLINE	5	5	5	6	6	6	4	4	6	6	5	5	8	8	9	9	9	7	4	2
P37	SPEED	2	2	6	6	8	10	6	6	2	2	2	2	6	6	8	10	6	6	2	2
	INCLINE	4	5	5	5	6	6	6	7	8	9	9	9	10	10	10	12	12	8	6	3
P38	SPEED	2	3	4	5	2	3	4	5	3	2	2	3	4	5	2	3	4	5	3	2
	INCLINE	4	4	4	4	3	3	6	6	6	7	7	8	8	9	9	6	6	5	3	3
P39	SPEED	2	4	6	2	4	6	2	4	6	2	2	4	6	2	4	6	2	4	6	2
	INCLINE	3	5	5	5	4	4	4	3	3	3	3	4	4	4	3	3	3	4	3	2
P40	SPEED	1	3	4	5	6	5	4	3	2	1	1	3	4	5	6	5	4	3	2	1
	INCLINE	3	3	3	4	4	5	5	5	4	4	4	4	5	5	3	3	3	2	2	2

FIG. C



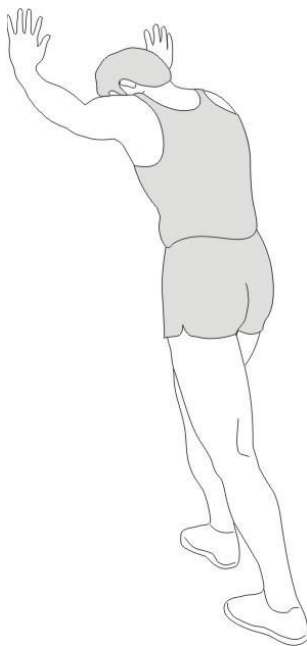
1



2



3



4



5

INDEX

Safety instructions	11
Guarantee	11
Assembly instructions	11
Adjusting	12
Folding and unfolding instructions	12
Training with heart rate	12
Training with fitness applications	12
Maintenance	13
Lubricating	13
Console	14
Manual mode	14
Programs	14
Training guidelines	15

SAFETY INSTRUCTIONS

WARNING!

Consult your doctor before you start exercising. This is particularly important for people with health problems. Please read all instructions before using the machine. VirtuFit assumes no responsibility for injury or property damage resulting from the use of this equipment. Please read this manual carefully before assembling and/or using the machine.

- Make sure that the machine is properly assembled and that all nuts and bolts are tight before using it.
- Lubricate all moving parts annually with petroleum jelly (acid-free) or silicone spray.
- Do not wear loose clothing to avoid getting caught in moving parts.
- Install and use the unit on a solid, level surface.
- Always wear clean sports shoes when using the appliance.
- Keep children and pets away from the appliance when in use.
- Maintain your balance when using the device.
- Do not place your fingers or other objects in the moving parts.
- Before exercising, consult your physician to determine the appropriate frequency, duration and intensity of exercise for your age and physical condition. Stop exercising immediately if you experience nausea, shortness of breath, fainting, headache,

chest pain, tightness or any other discomfort.

- This machine should only be used by one person at a time.
- This machine is designed for domestic use and the maximum user weight is 110 kg.
- Leave 1-2 metres of space behind the machine to avoid accidents.
- Place the machine on a clean, flat surface. Do not place it on a thick carpet, as this may hinder the ventilation of the machine. Do not place the machine outdoors or near water.
- Keep the storage area dry, clean and level to prevent damage. Do not use the device for any purpose other than training.
- Use the device only in an environment where the ambient temperature is between 10°C and 35°C. Store the device only in an environment where the temperature is between 5°C and 45°C.

GUARANTEE

Warranty claims are excluded if the cause of the defect is the result of:

- Maintenance and repair work not carried out by an official dealer. Provided otherwise specified by the supplier
- Improper use, negligence and/or poor maintenance.
- Failure to maintain the appliance in accordance with the manufacturer's instructions.

ASSEMBLY INSTRUCTIONS (STEP 01-08)

Missing parts: If any parts are missing from the packaging, carefully check the polystyrene foam and the appliance itself. Some parts (bolts, screws, etc.) are already attached to the unit.

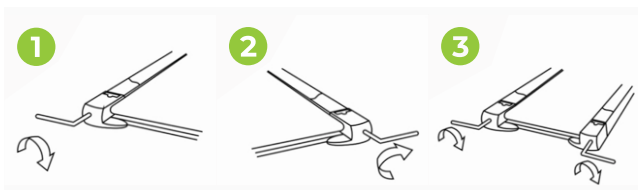
Error message: Make sure that all cables are carefully attached. The aluminium feet of the console are very sensitive and must be kept straight. If the console gives an error message after the machine has been mounted, the aluminium feet of the console may be bent. Straightening the aluminium feet may make the error message disappear.

Hex head bolts: Make sure that the hex head spanner is pushed into the bolt before applying force. This will prevent the head of the socket bolt from turning.

ADJUSTING

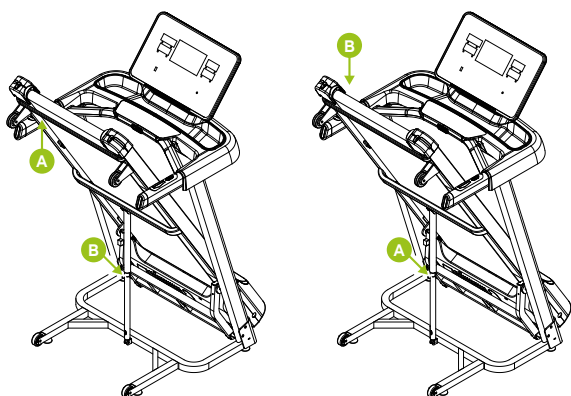
Adjusting the treadmill

- The treadmill veers to the left:** Turn on the treadmill, set the speed to 2 to 3 km/h without forcing. Use the Allen key to turn the screw on the left side of the end of the treadmill a quarter turn to the right (1). Run the treadmill for 1 to 2 minutes without a load. Repeat the process until the treadmill is exactly in the middle.
- The treadmill turns to the right:** start the treadmill, set the speed to 2 to 3 km/h without a load on the treadmill. Using the hexagonal key, turn the screw on the right side of the end of the treadmill a quarter turn to the right (2). Run the treadmill for 1 to 2 minutes without a load.
- The treadmill has jammed:** Use the Allen spanner to turn the screw on the right side of the end half a turn to the right and the screw on the left side of the end half a turn to the right as well. Repeat the process until the blockage is resolved (3).



FOLDING AND UNFOLDING INSTRUCTIONS

NOTE! Keep the appliance in a dry room and out of reach of children. Ensure that the appliance is stable and secure so that it cannot fall on children or animals.



Folding

- Grasp the tread with both hands.
- Carefully lift the tread (A) until the sound of the air rod housing

is heard (B).

- Release gently and check that the tread remains in place.

Unfolding

- Hold position B with both hands.
- Lift the tread slightly and lightly kick the air rod casing (A) until it moves.
- Help the tread down gently, allowing the tread to land slowly.

TRAINING WITH HEART RATE

Hand sensors

This VirtuFit fitness machine is equipped with hand sensors to measure heart rate. The hand sensors are attached to the handle and only work if both sensors are held for a long time. For optimal performance, it is important that the hands are slightly damp and exert constant pressure on the sensors. Hands that are too dry or too wet may result in abnormal readings.

CAUTION! Never use the hand sensors in combination with a wireless device to avoid interference.

TRAINING WITH FITNESS APPLICATIONS

VirtuFit does not provide service for third party fitness applications such as Kinomap, iConsole, FitShow etc. If you encounter problems with a third party fitness application, please contact the developer of the application in question.

Instruction

- To scan the QR code with an Android or IOS phone or tablet, a QR code scanner is required. The app for scanning QR codes can be downloaded from the App Store or Google Play Store.
- Scan one of the QR codes below to go directly to the App Store or Google Play Store page where the fitness app can be downloaded.
- Scan the QR code on the right to access the fitness app manual. The manual describes step by step how to connect the fitness app to the device, how the fitness app works and what its capabilities are.

Fitshow



APP STORE



GOOGLE PLAY



MANUAL

MAINTENANCE

Safe and efficient use can only be achieved if the appliance is properly installed and maintained. It is your responsibility to ensure that the appliance is maintained regularly. Parts that have been used and/or damaged must be replaced before the appliance is used again. The appliance should only be used and stored indoors. Long-term exposure to weather and temperature/humidity changes can have a serious impact on the electrical components and moving parts of the unit. Always unplug the power cord from the unit before cleaning or servicing it.

Daily maintenance

- Clean and remove sweat and moisture after each use.
- Check that the unit is free of dust and dirt.
- Do not use aggressive cleaning agents and keep the device away from moisture.

Semi-annual maintenance

- Inspect all bolts and nuts connected to the moving parts of the unit. Tighten bolts and nuts as necessary and appropriate.
- Check the mobility of moving parts and components of the unit. Use silicone spray if necessary and appropriate.

We recommend the following:

- Unplug the power cord after each use, especially if children are present.
- Clean the treadmill after use.
- Use a dry cloth to clean the control panel and areas around the power switch.
- Use a soft, clean cloth and detergent to remove stubborn stains and dirt from the treadmill.
- Store your treadmill in a safe, dry place away from heat and water.

CAUTION!

- All repairs must be performed by a professional technician, unless otherwise specified by the supplier or manufacturer.
- If the treadmill has been in use for two hours, we recommend that you wait ten minutes before unplugging the power cord. This is better for the durability of the unit.
- To avoid slipping during exercise, the treadmill belt should not be too loose. To avoid abrasion between the roller and the treadmill and to ensure proper operation of the machine, the treadmill should not be too tight. The distance between the step and the belt can be adjusted. The distance between the step and the belt should be 50 to 75 mm on both sides.

Cleaning

General cleaning of the machine will prolong its life. Keep the unit clean by dusting it regularly. Be sure to clean the exposed area of the treadmill and the footrests on both sides.

CAUTION! Wear clean shoes to reduce the risk of soiling the machine. At least once a year, remove the cover to remove dust.

LUBRICATING THE TREADMILL

The treadmill is equipped with a low-maintenance, pre-lubricated treadmill. Wear and tear on the treadmill plays an important role in the operation and life of the treadmill, so it should be lubricated periodically. We recommend that you inspect the belt regularly. Contact us as soon as you notice any damage to the treadmill.

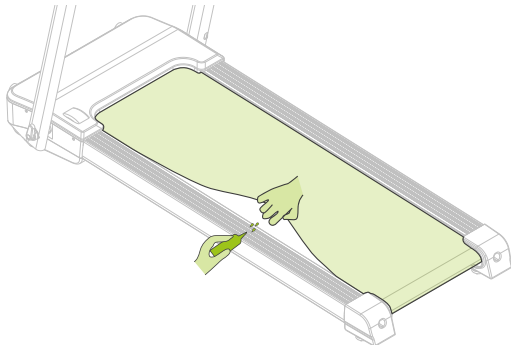
Recommended lubrication of the treadmill

- **Low usage (less than 3 hours per week):** once a year.
- **Medium use (3 to 5 hours per week):** every six months.
- **Heavy use (more than 5 hours per week):** every three months.

As a general rule: Lubricate if the mat appears dry. If in doubt, contact the manufacturer. The use of Vaseline (acid-free) or silicone oil is recommended for lubricating the treadmill.

Instruction

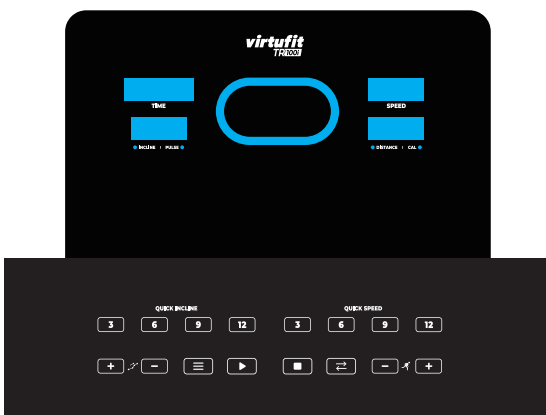
- Lift the mat.
- Apply two to three drops of silicone oil along the length of the treadmill.
- Turn on the treadmill and run for three minutes without stressing the treadmill (i.e. without standing on the treadmill).



CAUTION! Regular maintenance will extend the life of the treadmill and prevent injury!

CONSOLE (FIG. A)

NOTE! When the safety key is pulled out, the treadmill makes an emergency stop and the treadmill stops slowly. When the safety key is replaced, the treadmill can be started again.



PROG

Press this key to select a programme P01-P40.

MODE

Press this key to select the mode: time mode countdown, distance mode countdown, calorie mode countdown.

START

Press this key to start the treadmill, the treadmill will start after three seconds at the lowest speed or at the speed of the programme.

STOP

Press this button to pause or stop the treadmill, the treadmill will come to a slow stop.

SPEED +

During operation, press SPEED **+** to increase the speed by 0.5 km/h. When the key is held down, the speed is increased continuously.

SPEED -

Press SPEED **-** during operation to decrease the speed by 0.5 km/h. When the button is held down, the speed is continuously reduced.

3 | 6 | 9 | 12
QUICK SPEED

Speed 3, 6, 9 and 12. While in use, press one of these shortcut keys to instantly increase the speed in several steps.

INCLINE +

During operation, press INCLINE **+** to increase the slope by 1 level. When the key is held down, the slope is increased continuously.

INCLINE -

During operation, press INCLINE **-** to decrease the slope by 1 level. When the key is held down, the slope is continuously decreased.

3 | 6 | 9 | 12
QUICK INCLINE

Slope 3, 6, 9 and 12. Press one of these hotkeys during operation to adjust the slope directly in several steps.

CAUTION! When the heart rate sensors are held with both hands for at least 3 seconds, the heart rate data is displayed.

MANUAL MODE

Quick start

- Turn on the device and attach the magnetic safety key to the panel properly.
- Press **▶** and the device counts down to 0, after which a buzzer sounds. The treadmill starts running at a speed of 1 km/h.
- After starting, the speed can be adjusted by pressing the **+/-** keys on the **SPEED** side.

PROGRAMS (FIG. B, P01-P40)

The treadmill has 40 programmes P01-P40. The schedule of programmes is shown in FIG. B.

- Press **≡** when the unit is in standby mode to set the programmes and press **▶** to start the treadmill.
- After turning on the treadmill, press **≡** immediately so that the treadmill goes into standby mode to see all the programmes.
- Each programme lasts for 30 minutes.

TRAINING GUIDELINES (FIG. C, 1-5)

A successful training program includes a warm-up, the actual training and a cool-down. Perform the complete training program at least twice, but preferably three times a week and keep a rest day between training sessions. After a few months, the intensity of the training can be increased, for example to four or five times a week.

The warm-up

The purpose of a warm-up is to prepare the body for training and to reduce the risk of injury. Warm up your body for two to five minutes before starting a cardio or strength training session. Do exercises that increase the heart rate and warm up the working muscles. Examples of this type of activity are running, jogging, jumping jacks, skipping and running in place.

Stretching

Stretching while the muscles are warm is very important after a good warm-up and cool-down. It reduces the risk of injury. Stretching exercises should be held for 15-30 seconds. Here are some examples of stretching exercises:

- Toe touch (Fig. C-1)
- Inner thigh stretch (Fig. C-2)
- Hamstring stretch (Fig. C-3)
- Achilles stretch (Fig. C-4)
- Side stretch (Fig. C-5)

Cooling down

The purpose of the cool-down is to return the body to its (near) normal resting position at the end of the workout. A good cool-down slowly reduces your heart rate and promotes recovery.

INHOUD

Veiligheidsinstructies	16
Garantie	16
Montage Instructies	16
Afstellen	17
In- en uitklapinstructies	17
Trainen met hartslag	17
Trainen met fitness apps	18
Onderhoud	18
Insmeren van de loopband	19
Console	19
Handmatige modus	20
Programma's	20
Trainingsrichtlijnen	20

VEILIGHEIDSLINSTRUCTIES

⚠ WAARSCHUWING!

Raadpleeg uw arts voordat u begint met trainen. Dit is in het bijzonder belangrijk voor personen met gezondheidsproblemen. Lees alle instructies alvorens het toestel gebruikt wordt. VirtuFit neemt geen verantwoordelijkheid voor geleden letsel of materiële schade door het gebruik van dit toestel. Lees deze handleiding zorgvuldig door, voordat u begint met monteren van het toestel en/of er gebruik van gaat maken.

- Zorg ervoor dat het toestel voor gebruik correct is gemonteerd en alle bouten en moeren zorgvuldig zijn vastgedraaid.
- Smeer alle bewegende delen jaarlijks in met vaseline (zonder zuren) of siliconenspray.
- Draag geen loszittende kleding om te voorkomen dat deze in bewegende delen verstrikt raakt.
- Stel het toestel op en gebruik deze op een stevige, effen ondergrond.
- Draag altijd schone sportschoenen bij gebruik van het toestel.
- Houd kinderen en huisdieren uit de buurt van het toestel, terwijl deze in gebruik is.
- Zorg dat u evenwicht behoudt tijdens gebruik van het toestel.
- Plaats geen vingers of andere voorwerpen in de bewegende delen.

- Raadpleeg voorafgaand aan een training uw arts om de trainingsfrequentie, tijd en intensiteit vast te stellen die geschikt is voor uw leeftijd en conditie. Stop onmiddellijk met trainen in geval van misselijkheid, kortademigheid, flauwvallen, hoofdpijn, pijn, benauwdheid in de borst of enig ander ongemak.
- Dit toestel dient door slechts één persoon tegelijk te worden gebruikt.
- Dit toestel is gemaakt voor thuisgebruik en het maximaal gebruikersgewicht bedraagt 110 kg.
- Houd 1 á 2 meter ruimte vrij achter het toestel om eventuele ongelukken te voorkomen.
- Plaats het toestel op een schone en vlakke ondergrond. Plaats het toestel niet op dik tapijt waardoor het ventilatie kan belemmeren. Plaats het toestel niet buiten of in de buurt van water.
- Het toestel is voor binnengebruik en niet voor buitengebruik. Houd de opslagplek droog, schoon en vlak om schade te voorkomen. Het is verboden om het toestel voor andere doeleinden te gebruiken dan voor de trainingen.
- Gebruik het toestel alleen in een omgeving met een omgevingstemperatuur tussen 10 °C en 35 °C. Berg het toestel alleen op bij een omgevingstemperatuur tussen 5 °C en 45 °C.

GARANTIE

Aanspraak op garantie is uitgesloten indien de oorzaak van het defect het gevolg is van:

- Onderhoudsmontage en reparatiewerkzaamheden die niet door een officiële dealer zijn uitgevoerd. Mits anders door de leverancier aangegeven.
- Bij ondeugdelijk gebruik, verwaarlozing en/of gebrek aan onderhoud.
- Het niet volgens de fabrieksvoorschriften onderhouden van het toestel.

MONTAGE INSTRUCTIES (STEP 01-08)

Missende onderdelen: Indien bepaalde onderdelen missen in de verpakking, controleer dan zorgvuldig het piepschuim en het toestel zelf. Sommige onderdelen (bouten, schroeven, etc.) zitten al bevestigd aan/in het toestel.

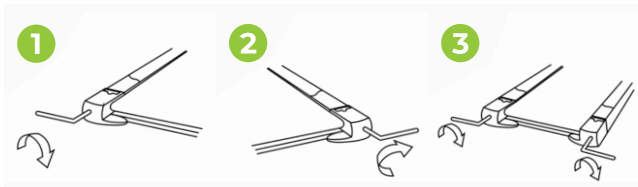
Foutmelding: Let er op dat alle kabels voorzichtig worden bevestigd. De aluminium pootjes van het console zijn zeer gevoelig en deze dienen recht te blijven. Mocht het console een foutmelding geven na de montage van het toestel dan kan het zijn dat de aluminium pootjes van het console schuin staan. Buig de aluminium pootjes weer recht, dit laat de foutmelding mogelijk verdwijnen.

Inbusbouts: Zorg ervoor dat de inbus sleutel goed in de bout zit voordat er kracht op de sleutel wordt gezet. Op deze manier wordt voorkomen dat de kop van de inbusbout wordt dolgedraaid.

AFSTELLEN

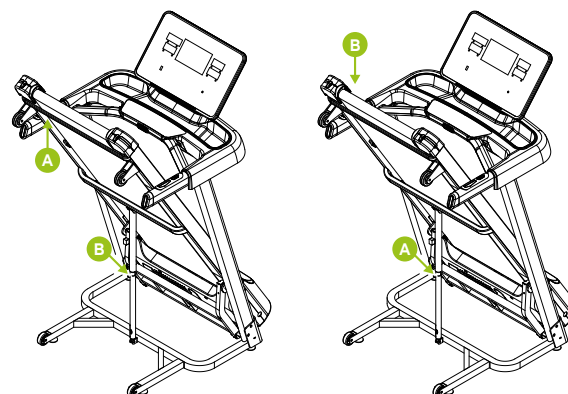
Band afstellen

- Loopband wijkt af naar links:** Start de loopband, stel de snelheid in op 2 tot 3 km/u zonder de loopmat te belasten. Gebruik de inbus sleutel om de schroef aan de linkerkant van het uiteinde een kwartslag naar rechts te draaien (1). Laat de loopband gedurende 1 tot 2 minuten zonder belasting draaien. Herhaal het proces totdat de loopmat precies in het midden zit.
- Loopband wijkt af naar rechts:** Start de loopband, stel de snelheid in op 2 tot 3 km/u zonder de loopmat te belasten. Gebruik de inbus sleutel om de schroef aan de rechterkant van het uiteinde een kwartslag naar rechts te draaien (2). Laat de loopband gedurende 1 tot 2 minuten zonder belasting draaien. Herhaal het proces totdat de loopmat precies in het midden zit.
- Loopband vastgelopen:** Gebruik de inbus sleutel om de schroef aan de rechterkant van het uiteinde een halve slag naar rechts te draaien en de schroef aan de linkerkant van het uiteinde ook een halve slag naar rechts te draaien. Herhaal het proces totdat de blokkering is opgelost (3).



IN- EN UITKLAP INSTRUCTIES

LET OP! Berg het toestel op in een droge ruimte en uit de buurt van kinderen. Zorg ervoor dat het toestel stabiel en veilig staat, zodat het toestel niet kan omvallen op kinderen of dieren.



Inklappen

- Pak de het loopvlak met beide handen vast
- Til het loopvlak voorzichtig omhoog (A) tot het geluid van de luchtstangbehuizing klinkt (B).
- Laat voorzichtig los en controleer of het loopvlak blijf zitten.

Uitklappen

- Houd positie B met beide handen vast.
- Hef het loopvlak iets omhoog en schop lichtjes tegen het luchtstangomhulsel (A) tot het beweegt.
- Help het loopvlak voorzichtig naar beneden, zodat het loopvlak langzaam kan landen.

TRAINEN MET HARTSLAG

Handsensoren

Dit VirtuFit fitnessstoestel is voorzien van handsensoren voor het meten van de hartslag. De handsensoren zitten bevestigd op het handvat en werken alleen als beide sensoren voor een langere periode worden vastgehouden. Voor een optimale werking is het belangrijk dat de handen licht vochtig zijn en constante druk uitoefenen op de sensoren. Te droge of te vochtige handen kunnen zorgen voor een afwijkende meting.

LET OP! Gebruik de handsensoren nooit in combinatie met een draadloze hartslagmeter om storing te voorkomen.

TRAINEN MET FITNESS APPS

VirtuFit verleent geen service voor fitness-apps van derde partijen

zoals Kinomap, iConsole, FitShow etc.. Mocht u problemen ondervinden met een fitness-app van een derde partij, neem dan contact met de desbetreffende app-ontwikkelaar.

Instructie

- Om de QR-code te scannen met een Android of IOS telefoon of tablet is een QR-code scanner nodig. De app om QR-codes te scannen kan in de App Store of Google Play Store worden gedownload.
- Scan één van de QR-codes hieronder om direct naar de pagina in de App Store of Google Play Store te gaan waar de fitnessapp gedownload kan worden.
- Scan de QR-code aan de rechterkant om naar de handleiding van de fitnessapp te gaan. In de handleiding staat stap voor stap beschreven hoe de fitnessapp verbonden dient te worden met het toestel, hoe de fitnessapp werkt en welke mogelijkheden er zijn.

Fitshow



APP STORE



GOOGLE PLAY



HANDLEIDING

ONDERHOUD

Veilig en effectief gebruik kan alleen worden bereikt als het toestel goed wordt gemonteerd en onderhouden. Het is uw verantwoordelijkheid om ervoor te zorgen dat het toestel regelmatig wordt onderhouden. Onderdelen die al zijn gebruikt en/of beschadigd, moeten worden vervangen voordat het toestel verder gebruikt wordt. Het toestel mag alleen binnen worden gebruikt en opgeborgen. Langdurige blootstelling aan verwerking en veranderingen in temperatuur/vochtigheid kunnen een ernstige impact hebben op de elektrische componenten en bewegende delen van het toestel. Haal altijd de stroomkabel van het toestel uit het stopcontact voordat het apparaat wordt schoongemaakt of onderhouden.

Dagelijks onderhoud

- Reinig en verwijder zweet en vocht na elk gebruik.
- Controleer of het toestel vrij is van stof en vuil.

- Gebruik geen agressieve schoonmaakmiddelen en zorg dat het toestel vochtvrij blijft.

Halfjaarlijks onderhoud

- Inspecteer alle bouten en moeren in verband met bewegende delen van het toestel. Draai bouten en moeren vast indien nodig en zoals vereist.
- Controleer de mobiliteit van bewegende onderdelen en componenten van het toestel. Gebruik siliconenspray indien nodig en zoals vereist.

We raden aan het volgende te doen:

- Haal na elk gebruik het netsnoer uit het stopcontact, vooral als er kinderen aanwezig zijn.
- Maak de loopband na gebruik schoon.
- Gebruik een droge doek om het bedieningspaneel en gebieden rond de aan- en uitschakelaar te reinigen.
- Gebruik een zachte schone doek en reinigingsmiddel om hardnekkige vlekken en vuil op de loopband te verwijderen.
- Houd uw loopband op een veilige en droge plaats en uit de buurt van warmte en water.

LET OP!

- Elke reparatie moet door een professionele technicus worden uitgevoerd, tenzij anders aangegeven door de leverancier of fabrikant.
- Als er twee uur gebruik is gemaakt van de loopband, raden wij aan om tien minuten te wachten voordat het netsnoer uit het stopcontact wordt verwijderd. Dit is beter voor de levensduur van het toestel.
- Om uitglijden tijdens de training te vermijden dient de loopmat niet te los te zitten. Om het schuren tussen de roller en de loopmat te vermijden en te zorgen dat het toestel goed blijft functioneren moet de loopmat niet te strak zitten. De afstand tussen de loopplank en de loopmat kan afgesteld worden. De afstand tussen loopplank en de loopmat dient aan beide zijden 50 tot 75 mm te zijn.

Schoonmaak

Algemene reiniging van het apparaat zal de levensduur van het toestel verlengen. Houd het toestel schoon door regelmatig af te stoffen. Zorg ervoor dat het blootgestelde deel van de loopmat en de voetrails van de loopband aan beide kanten worden schoongemaakt.

LET OP! Draag schone schoenen zodat de kans op vervuiling

van het toestel vermindert. Haal minimaal één keer per jaar de motorkap eraf om het daaronder stofvrij te maken.

INSMEREN VAN DE LOOPBAND

De loopband is voorzien van een voorgesmeerde, onderhoudsarme loopmat. De slijtage, van de loopmat speelt een belangrijke rol in de functie en levensduur van de loopband, waardoor het periodieke smering vereist. Wij raden aan om de loopmat regelmatig te inspecteren. Neem contact met ons op zodra een beschadiging aan de loopmat wordt geconstateerd.

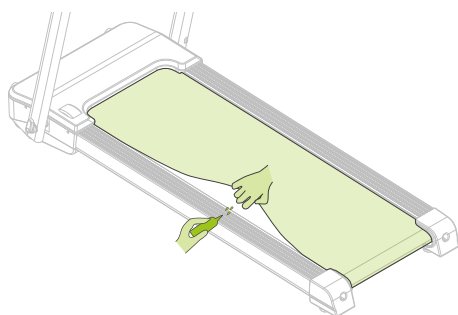
Aanbevolen smering van de loopmat:

- **Weinig gebruik (minder dan 3 uur per week):** één keer per jaar
- **Gemiddeld gebruik (3 tot 5 uur per week):** om de zes maanden
- **Intensief gebruik (meer dan 5 uur per week):** om de drie maanden

Als huisregel geldt: Smeer indien de loopmat droog aanvoelt. Bij twijfel contact opnemen met de fabrikant. Aangeraden wordt om voor het insmeren van de loopmat vaseline (zonder zuren) of siliconenolie te gebruiken.

Instructie

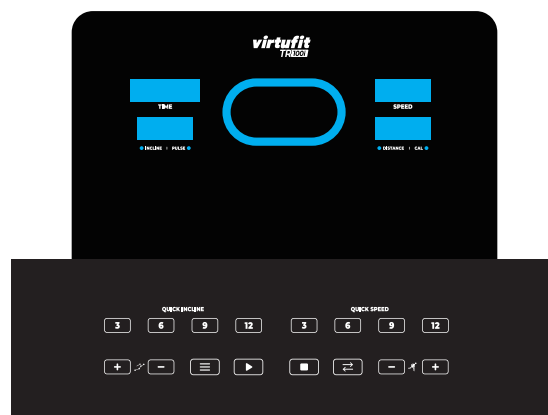
- Til de loopmat op.
- Verdeel twee tot drie druppels siliconenolie over de lengte van de loopmat.
- Start de loopband en laat deze drie minuten draaien zonder de loopmat te belasten (dat wil zeggen dat er niet op de loopmat wordt gestaan).



LET OP! Regelmatig onderhoud verlengt de levensduur de loopband en voorkomt letsel!

CONSOLE (FIG. A)

LET OP! Wanneer de veiligheidssleutel eruit wordt getrokken, maakt de loopband een noodstop en de loopband stopt langzaam. Wanneer de veiligheidssleutel wordt teruggeplaatst, kan de loopband weer worden gestart.



PROG

Druk op deze toets om een programma te kiezen P01-P40.



MODE

Druk op deze toets om de modus te kiezen: tijdsmodus aftellen, afstand modus aftellen, calorie-modus aftellen.



START

Druk op deze toets om de loopband te starten, de loopband zal na drie seconden starten met de laagste snelheid of met de snelheid van het programma.



STOP

Druk op deze toets om de loopband te pauzeren of stoppen, de loopband zal langzaam tot stilstand komen.



SPEED

Druk tijdens het gebruik op SPEED + om de snelheid met 0,5 km/u te verhogen. Wanneer de toets wordt ingehouden, wordt de snelheid continu verhoogd.



SPEED

Druk tijdens het gebruik op SPEED - om de snelheid met 0,5 km/u te verlagen. Wanneer de toets wordt ingehouden, wordt de snelheid continu verlaagd.



QUICK SPEED

Snelheid 3, 6, 9 en 12. Druk tijdens het gebruik op één van deze sneltoetsen om de snelheid direct in meerdere stappen te verhogen.



INCLINE

Druk tijdens het gebruik op INCLINE + om de helling met 1 niveau te verhogen. Wanneer de toets wordt ingehouden, wordt de helling continu verhoogd.

INCLINE

Druk tijdens het gebruik op INCLINE om de helling met 1 niveau te verlagen. Wanneer de toets wordt ingehouden, wordt de helling continu verlaagd.

3 | 6 | 9 | 12 QUICK INCLINE

Helling 3, 6, 9 en 12. Druk tijdens het gebruik op één van deze sneltoetsen om de helling direct in meerdere stappen te verstellen.

LET OP! Wanneer de hartslagsensoren minimaal 3 seconden met beide handen worden vastgehouden, worden de hartslaggegevens weergegeven.

HANDMATIGE MODUS

Snel starten

- Zet de het apparaat aan en bevestig de magnetische veiligheidssleutel op de juiste manier aan het paneel.
- Druk op en het apparaat telt af naar 0, waarna er een zoemer klinkt. De loopband begint te lopen met een snelheid van 1 km/u.
- Na het starten kan de snelheid worden aangepast door op de toetsen / aan de SPEED kant drukken.

PROGRAMMA'S (FIG. B, P01-P40)

De loopband beschikt over 40 programma's P01-P40. Het schema van de programma's wordt in FIG. B weergegeven.

- Druk op wanneer het toestel in stand-by modus staat om de programma's in te stellen en druk op om de loopband te starten.
- Druk na het inschakelen van de loopband direct op zodat de loopband in stand-by modus gaat om alle programma's te zien.
- Elk programma duurt 30 minuten.

TRAININGSRICHTLIJNEN (FIG. C, 1-5)

Een succesvol trainingsprogramma bestaat uit een warming-up, de training zelf en een cooling down. Voer de hele training minstens twee, maar bij voorkeur drie keer per week uit en houdt één dag rust tussen de trainingen. Na enkele maanden kan de trainingsintensiteit worden verhoogd tot bijvoorbeeld vier of vijf keer per week.

Warming-up

Het doel van een warming-up is dat het lichaam voorbereid wordt op een training en het vermindert de kans op blessures. Warm het lichaam op in twee tot vijf minuten voordat er met een cardio- of krachttraining begonnen wordt. Doe oefeningen die de hartslag verhogen en de werkende spieren opwarmen. Voorbeelden van dit soort activiteiten zijn: vlot lopen, joggen, jumping jacks, touwtje springen en rennen op de plaats.

Stretchen

Stretchen terwijl spieren warm zijn, is zeer belangrijk na een goede warming-up en cooling-down. Het vermindert de kans op blessures. Stretchoefeningen dienen gedurende 15 tot 30 seconden worden vastgehouden. Voorbeelden van stretchoefeningen zijn:

- Toe touch (Fig. C-1)
- Inner thigh stretch (Fig. C-2)
- Hamstring stretch (Fig. C-3)
- Achilles stretch (Fig. C-4)
- Side stretch (Fig. C-5)

Cooling-down

Het doel van de cooling-down is het lichaam aan het einde van de training terug te brengen naar de (bijna) normale ruststand. Een goede cooling-down vermindert langzaam uw hartslag en bevordert het herstel.

INHALTE

Sicherheitshinweise	21
Bürgschaft	21
Anweisungen zum Einbau	22
Einstellen	22
Anleitung zum falten und entfalten	22
Herzfrequenz-Training	22
Training mit Fitnessanwendungen	23
Wartung	23
Schmierung des Förderbandes	24
Konsole	24
Manueller Modus	25
Programme	25
Trainingsrichtlinien	25

SICHERHEITSHINWEISE

WARNUNG!

Konsultieren Sie Ihren Arzt, bevor Sie mit dem Training beginnen. Dies ist besonders wichtig für Menschen mit gesundheitlichen Problemen. Bitte lesen Sie alle Anweisungen, bevor Sie das Gerät benutzen. VirtuFit übernimmt keine Verantwortung für Verletzungen oder Sachschäden, die durch die Verwendung dieses Geräts entstehen. Bitte lesen Sie diese Anleitung sorgfältig durch, bevor Sie das Gerät zusammenbauen und/oder benutzen.

- Vergewissern Sie sich, dass das Gerät richtig zusammgebaut ist und dass alle Schrauben und Muttern fest angezogen sind, bevor Sie es benutzen.
- Schmieren Sie alle beweglichen Teile jährlich mit Vaseline (säurefrei) oder Silikonspray.
- Tragen Sie keine weite Kleidung, um zu vermeiden, dass Sie sich in beweglichen Teilen verfangen.
- Stellen Sie das Gerät auf einer festen, ebenen Fläche auf und benutzen Sie es.
- Tragen Sie immer saubere Sportschuhe, wenn Sie das Gerät benutzen.
- Halten Sie Kinder und Haustiere von dem Gerät fern, wenn Sie es benutzen.
- Achten Sie bei der Benutzung des Geräts auf Ihr Gleichgewicht.

- Stecken Sie Ihre Finger oder andere Gegenstände nicht in die beweglichen Teile.
- Konsultieren Sie vor dem Training Ihren Arzt, um die für Ihr Alter und Ihre körperliche Verfassung angemessene Häufigkeit, Dauer und Intensität des Trainings zu bestimmen. Brechen Sie das Training sofort ab, wenn Sie Übelkeit, Kurzatmigkeit, Ohnmacht, Kopfschmerzen, Brustschmerzen, Engegefühl oder andere Beschwerden verspüren.
- Dieses Gerät darf nur von einer Person gleichzeitig benutzt werden.
- Das Gerät ist für den Hausgebrauch konzipiert und das maximale Benutzergewicht beträgt 110 kg.
- Lassen Sie hinter der Maschine 1-2 Meter Platz, um Unfälle zu vermeiden.
- Stellen Sie das Gerät auf eine saubere, ebene Fläche. Stellen Sie das Gerät nicht auf einen dicken Teppich, da dies die Belüftung des Geräts behindern kann. Stellen Sie das Gerät nicht im Freien oder in der Nähe von Wasser auf.
- Halten Sie den Aufbewahrungsort trocken, sauber und eben, um Schäden zu vermeiden. Verwenden Sie das Gerät nicht für andere Zwecke als zum Training.
- Verwenden Sie das Gerät nur in einer Umgebung, in der die Umgebungstemperatur zwischen 10°C und 35°C liegt. Lagern Sie das Gerät nur in einer Umgebung, in der die Temperatur zwischen 5°C und 45°C liegt.

BÜRGSCHAFT

Gewährleistungsansprüche sind ausgeschlossen, wenn die Ursache des Mangels die Folge ist von:

- Wartungs- und Reparaturarbeiten, die nicht von einem Vertragshändler durchgeführt wurden. Sofern vom Lieferanten nicht anders angegeben.
- Unsachgemäßer Gebrauch, Nachlässigkeit und/oder schlechte Wartung.
- Wenn das Gerät nicht gemäß den Anweisungen des Herstellers gewartet wurde.

MONTAGEANLEITUNG (STEP 01-08)

Fehlende Teile: Sollten Teile in der Verpackung fehlen, überprüfen Sie bitte sorgfältig den Styroporschaum und das Gerät selbst. Einige Teile (Bolzen, Schrauben, usw.) sind bereits am Gerät angebracht.

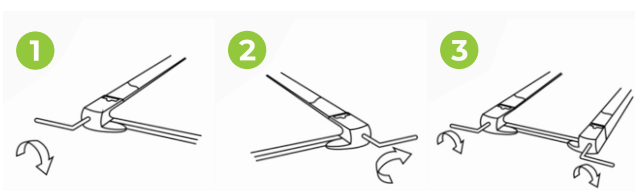
Fehlermeldung: Vergewissern Sie sich, dass alle Kabel sorgfältig angebracht sind. Die Aluminiumfüße der Konsole sind sehr empfindlich und müssen gerade gehalten werden. Wenn die Konsole eine Fehlermeldung ausgibt, nachdem das Gerät montiert wurde, sind die Aluminiumfüße der Konsole möglicherweise verbogen. Das Richten der Aluminiumfüße kann dazu führen, dass die Fehlermeldung verschwindet.

Sechskant-Schrauben: Achten Sie darauf, dass der Sechskantschlüssel in die Schraube gedrückt wird, bevor Sie Kraft anwenden. Dadurch wird verhindert, dass sich der Kopf der Innensechskantschraube dreht.

EINSTELLUNG

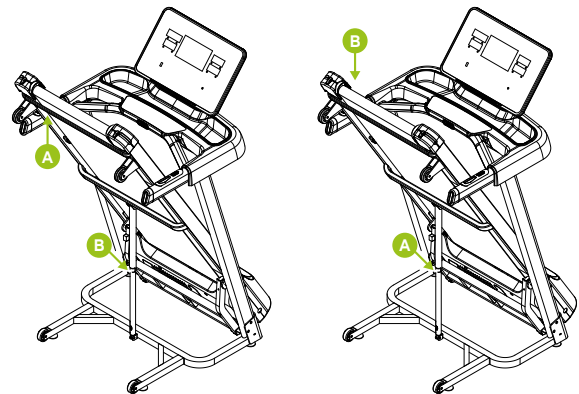
Einstellen des Laufbandes

1. **Das Laufband neigt sich nach links:** Schalten Sie das Laufband ein, stellen Sie die Geschwindigkeit auf 2 bis 3 km/h ein, ohne zu forcieren. Drehen Sie die Schraube an der linken Seite des Laufbandes mit dem Inbusschlüssel eine Vierteldrehung nach rechts (1). Lassen Sie das Laufband 1 bis 2 Minuten lang ohne Belastung laufen. Wiederholen Sie den Vorgang, bis sich das Laufband genau in der Mitte befindet.
2. **Das Laufband dreht sich nach rechts:** Starten Sie das Laufband, stellen Sie die Geschwindigkeit auf 2 bis 3 km/h ohne Belastung des Laufbandes ein. Drehen Sie mit dem Sechskantschlüssel die Schraube auf der rechten Seite des Laufbandendes eine Vierteldrehung nach rechts (2). Lassen Sie das Laufband 1 bis 2 Minuten lang ohne Belastung laufen
3. **Das Laufband hat sich verklemmt:** Drehen Sie mit dem Inbusschlüssel die Schraube auf der rechten Seite des Endes eine halbe Umdrehung nach rechts und die Schraube auf der linken Seite des Endes ebenfalls eine halbe Umdrehung nach rechts. Wiederholen Sie den Vorgang, bis die Blockade behoben ist (3).



ANLEITUNG ZUM FALTEN UND ENTFALTEN

HINWEIS! Bewahren Sie das Gerät in einem trockenen Raum und außerhalb der Reichweite von Kindern auf. Stellen Sie sicher, dass das Gerät stabil und sicher steht, damit es nicht auf Kinder oder Tiere fallen kann.



Zusammenklappen

- Fassen Sie die Lauffläche mit beiden Händen.
- Heben Sie die Lauffläche (A) vorsichtig an, bis das Geräusch des Luftfedergehäuses zu hören ist (B).
- Lassen Sie vorsichtig los und prüfen Sie, ob die Lauffläche an ihrem Platz bleibt.

Enfalten

- Halten Sie Position B mit beiden Händen fest.
- Heben Sie die Lauffläche leicht an und treten Sie leicht gegen das Gehäuse der Luftfederung (A), bis es sich bewegt.
- Helfen Sie der Lauffläche vorsichtig nach unten und lassen Sie sie langsam landen.

TRAINING MIT HERZFREQUENZ

Handsensoren

Dieses VirtuFit Fitnessgerät ist mit Handsensoren zur Messung der Herzfrequenz ausgestattet. Die Handsensoren sind am Handgriff befestigt und funktionieren nur, wenn beide Sensoren über einen längeren Zeitraum gehalten werden. Für eine optimale Leistung ist es wichtig, dass die Hände leicht feucht sind und einen konstanten Druck auf die Sensoren ausüben. Zu trockene oder zu nasse Hände können zu abnormalen Messwerten führen.

HINWEIS! Verwenden Sie die Handsensoren niemals in Kombination mit einem drahtlosen Gerät, um Interferenzen zu vermeiden.

TRAINING MIT FITNESSANWENDUNGEN

VirtuFit bietet keinen Service für Fitnessanwendungen von Drittanbietern wie Kinomap, iConsole, FitShow usw. Wenn Sie Probleme mit einer Fitness-Anwendung eines Drittanbieters haben, wenden Sie sich bitte an den Entwickler der betreffenden Anwendung

Anleitung

- Um den QR-Code mit einem Android- oder IOS-Telefon oder -Tablet zu scannen, ist ein QR-Code-Scanner erforderlich. Die App zum Scannen von QR-Codes kann im App Store oder im Google Play Store heruntergeladen werden.
- Scannen Sie einen der unten stehenden QR-Codes, um direkt zur Seite des App Store oder Google Play Store zu gelangen, wo die Fitness-App heruntergeladen werden kann.
- Scannen Sie den QR-Code auf der rechten Seite, um das Handbuch für die Fitness-App aufzurufen. Das Handbuch beschreibt Schritt für Schritt, wie Sie die Fitness-App mit dem Gerät verbinden, wie die Fitness-App funktioniert und welche Möglichkeiten sie bietet.

Fitshow



APP STORE



GOOGLE PLAY



ANLEITUNG

WARTUNG

Eine sichere und effiziente Nutzung kann nur erreicht werden, wenn das Gerät ordnungsgemäß installiert und gewartet wird. Es liegt in Ihrer Verantwortung, dafür zu sorgen, dass das Gerät regelmäßig gewartet wird. Benutzte und/oder beschädigte Teile müssen ersetzt werden, bevor das Gerät wieder benutzt wird. Das Gerät sollte nur in Innenräumen verwendet und gelagert werden. Wenn das Gerät über einen längeren Zeitraum hinweg Witterungseinflüssen

sowie Temperatur- und Feuchtigkeitsschwankungen ausgesetzt ist, kann dies schwerwiegende Auswirkungen auf die elektrischen Komponenten und beweglichen Teile des Geräts haben. Ziehen Sie immer den Netzstecker aus dem Gerät, bevor Sie es reinigen oder warten.

Tägliche Wartung

- Reinigen Sie das Gerät nach jedem Gebrauch und entfernen Sie Schweiß und Feuchtigkeit.
- Prüfen Sie, ob das Gerät frei von Staub und Schmutz ist.
- Verwenden Sie keine aggressiven Reinigungsmittel und halten Sie das Gerät von Feuchtigkeit fern.

Halbjährliche Wartung

- Überprüfen Sie alle Schrauben und Muttern, die mit den beweglichen Teilen des Geräts verbunden sind. Ziehen Sie die Schrauben und Muttern nach Bedarf und Bedarf an.
- Überprüfen Sie die Beweglichkeit der beweglichen Teile und Komponenten des Geräts. Bei Bedarf und Eignung Silikonspray verwenden.

Wir empfehlen Folgendes:

- Ziehen Sie nach jedem Gebrauch den Netzstecker, insbesondere wenn Kinder anwesend sind.
- Reinigen Sie das Laufband nach dem Gebrauch.
- Verwenden Sie ein trockenes Tuch, um das Bedienfeld und die

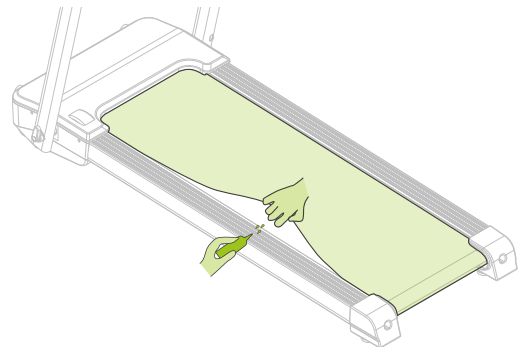
Bereiche um den Netzschalter zu reinigen.

- Verwenden Sie ein weiches, sauberes Tuch und Reinigungsmittel, um hartnäckige Flecken und Schmutz vom Laufband zu entfernen.
- Bewahren Sie Ihr Laufband an einem sicheren, trockenen Ort auf, der von Hitze und Wasser geschützt ist.

ACHTUNG!

- **Alle Reparaturen müssen von einem professionellen Techniker durchgeführt werden, es sei denn, der Lieferant oder Hersteller schreibt etwas anderes vor.**
- **Wenn Sie das Laufband zwei Stunden lang benutzt haben, empfehlen wir Ihnen, zehn Minuten zu warten, bevor Sie den Stecker aus der Steckdose ziehen. Dies ist besser für die Haltbarkeit des Geräts.**
- **Um ein Verrutschen während des Trainings zu vermeiden, sollte der Laufbandgurt nicht zu locker sein. Um einen Abrieb zwischen der Rolle und dem Laufband zu vermeiden und einen ordnungsgemäßen Betrieb des Geräts zu gewährleisten,**

sollte das Laufband nicht zu fest gespannt sein. Der Abstand zwischen der Stufe und dem Laufband kann eingestellt werden. Der Abstand zwischen der Stufe und dem Laufband sollte auf beiden Seiten 50 bis 75 mm betragen.



Reinigung

Eine allgemeine Reinigung des Geräts verlängert seine Lebensdauer. Halten Sie das Gerät sauber, indem Sie es regelmäßig abstauben. Achten Sie darauf, den freiliegenden Bereich des Laufbandes und die Fußstützen auf beiden Seiten zu reinigen.

HINWEIS! Tragen Sie saubere Schuhe, um das Risiko einer Verschmutzung des Geräts zu verringern. Nehmen Sie mindestens einmal im Jahr die Abdeckung ab, um den Staub zu entfernen.

STARTEN DES LAUFBANDES

Das Laufband ist mit einem wartungsarmen, vorgeschmierten Laufband ausgestattet. Die Abnutzung des Laufbandes spielt eine wichtige Rolle für den Betrieb und die Lebensdauer des Laufbandes, daher sollte es regelmäßig geschmiert werden. Wir empfehlen Ihnen, das Laufband regelmäßig zu überprüfen. Wenden Sie sich an uns, sobald Sie eine Beschädigung des Laufbandes feststellen.

Empfohlene Schmierung des Laufbandes:

- **Geringe Nutzung (weniger als 3 Stunden pro Woche):** einmal pro Jahr
- **Mittlere Nutzung (3 bis 5 Stunden pro Woche):** alle sechs Monate
- **Starke Nutzung (mehr als 5 Stunden pro Woche):** alle drei Monate.

Als allgemeine Regel gilt: Schmieren Sie die Matte, wenn sie trocken erscheint. Im Zweifelsfall wenden Sie sich bitte an den Hersteller. Zum Schmieren des Laufbandes wird Vaseline (säurefrei) oder Silikonöl empfohlen.

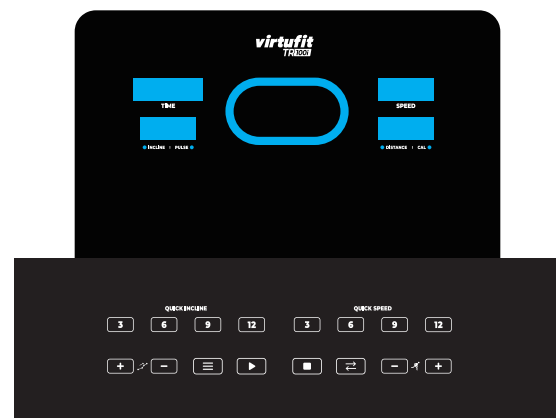
Anleitung

- Heben Sie die Matte an.
- Tragen Sie zwei bis drei Tropfen Silikonöl über die gesamte Länge des Laufbandes auf.
- Schalten Sie das Laufband ein und laufen Sie drei Minuten lang, ohne das Laufband zu belasten (d.h. ohne auf dem Laufband zu stehen).

HINWEIS! Regelmäßige Wartung verlängert die Lebensdauer des Laufbandes und beugt Verletzungen vor!

KONSOLE (FIG. A)

HINWEIS! Wenn der Sicherheitsschlüssel herausgezogen wird, macht das Laufband einen Notstopp und das Laufband stoppt langsam. Wenn der Sicherheitsschlüssel wieder eingesetzt wird, kann das Laufband wieder gestartet werden. .



Drücken Sie diese Taste, um ein Programm P01-P40 zu wählen.



Drücken Sie diese Taste, um den Modus zu wählen: Countdown im Zeitmodus, Countdown im Streckenmodus, Countdown im Kalorienmodus.



Drücken Sie diese Taste, um das Laufband zu starten. Das Laufband startet nach drei Sekunden mit der niedrigsten Geschwindigkeit oder mit der Geschwindigkeit des Programms.



Drücken Sie diese Taste, um das Laufband zu unterbrechen oder zu stoppen, das Laufband kommt langsam zum Stillstand.



Drücken Sie während des Betriebs SPEED **+**, um die Geschwindigkeit um 0,5 km/h zu erhöhen.

Wenn die Taste gedrückt gehalten wird, wird die Geschwindigkeit kontinuierlich erhöht.



Drücken Sie während des Betriebs SPEED **-**, um die Geschwindigkeit um 0,5 km/h zu verringern.

Wenn die Taste gedrückt gehalten wird, wird die Geschwindigkeit kontinuierlich verringert.



Geschwindigkeit 3, 6, 9 und 12. Drücken Sie während des Betriebs eine dieser Schnell Tasten, um die Geschwindigkeit sofort in mehreren Schritten zu erhöhen.



Drücken Sie während des Betriebs INCLINE **+** um die Steigung um 1 Stufe zu erhöhen. Wenn die Taste gedrückt gehalten wird, wird die Steigung kontinuierlich erhöht.



Drücken Sie während des Betriebs INCLINE **-**, um die Steigung um 1 Stufe zu verringern. Wenn die Taste gedrückt gehalten wird, wird die Steigung kontinuierlich verringert.



Steigung 3, 6, 9 und 12. Drücken Sie während des Betriebs einen dieser Hotkeys, um die Steigung direkt in mehreren Stufen einzustellen.

HINWEIS! Wenn die Herzfrequenzsensoren mindestens 3 Sekunden lang mit beiden Händen gehalten werden, werden die Herzfrequenzdaten angezeigt.

MANUELLER MODUS

Schnellstart

- Schalten Sie das Gerät ein und befestigen Sie den magnetischen Sicherheitsschlüssel ordnungsgemäß auf dem Bedienfeld.
- Drücken Sie **▶** und das Gerät zählt bis 0 herunter, woraufhin ein Summer ertönt. Das Laufband beginnt mit einer Geschwindigkeit von 1 km/h zu laufen.
- Nach dem Start kann die Geschwindigkeit durch Drücken der **+/−** Tasten auf der **SPEED**-Seite angepasst werden.

PROGRAMME (FIG. B, P01-P40)

Das Laufband verfügt über 40 Programme P01-P40. Die Programmübersicht ist in FIG. B.

- Drücken Sie **≡**, wenn sich das Gerät im Standby-Modus befindet, um die Programme einzustellen und drücken Sie **▶**,

um das Laufband zu starten.

- Nach dem Einschalten des Laufbandes drücken Sie sofort **≡**, damit das Laufband in den Standby-Modus geht und alle Programme angezeigt werden.
- Jedes Programm hat eine Dauer von 30 Minuten.

TRAININGSRICHTLINIEN (FIG. C, 1-5)

Ein erfolgreiches Trainingsprogramm umfasst ein Aufwärmprogramm, das eigentliche Training und ein Abkühlprogramm. Führen Sie das komplette Trainingsprogramm mindestens zweimal, besser jedoch dreimal pro Woche durch und halten Sie einen Ruhetag zwischen den Trainingseinheiten ein. Nach einigen Monaten kann die Intensität des Trainings erhöht werden, zum Beispiel auf vier- oder fünfmal pro Woche.

Das Aufwärmen

Das Aufwärmen dient dazu, den Körper auf das Training vorzubereiten und das Verletzungsrisiko zu verringern. Wärmen Sie Ihren Körper zwei bis fünf Minuten lang auf, bevor Sie mit einem Ausdauer- oder Krafttraining beginnen. Machen Sie Übungen, die die Herzfrequenz erhöhen und die arbeitenden Muskeln aufwärmen. Beispiele für diese Art von Aktivität sind Laufen, Joggen, Hampelmänner, Hüpfen und Laufen auf der Stelle.

Dehnen

Dehnen, während die Muskeln warm sind, ist nach einem guten Aufwärm- und Abkühltraining sehr wichtig. Dadurch wird das Verletzungsrisiko verringert. Dehnungsübungen sollten 15-30 Sekunden lang gehalten werden. Hier sind einige Beispiele für Dehnungsübungen:

- Toe touch (Fig. C-1)
- Inner thigh stretch (Fig. C-2)
- Hamstring stretch (Fig. C-3)
- Achilles stretch (Fig. C-4)
- Side stretch (Fig. C-5)

Abkühlung

Der Zweck des Cool-downs besteht darin, den Körper am Ende des Trainings in seine (fast) normale Ruheposition zu bringen. Ein gutes Cool-down senkt langsam die Herzfrequenz und fördert die Regeneration.

SOMMAIRE

Consignes de sécurité	26
Garanties	26
Instructions de montage	26
Ajustement	27
Instructions de pliage	27
Entraînement avec la fréquence cardiaque	27
Entraînement avec des applications de fitness	28
Instructions d'entretien	28
Graissage du tapis roulant	29
Console	29
Mode manuel	30
Programmes	30
Directives de formation	30

CONSIGNES DE SÉCURITÉ

⚠ AVERTISSEMENT

Consultez votre médecin avant de commencer à faire de l'exercice. Ceci est particulièrement important pour les personnes ayant des problèmes de santé. Veuillez lire toutes les instructions avant d'utiliser la machine. VirtuFit n'assume aucune responsabilité pour les blessures ou les dommages matériels résultant de l'utilisation de cet équipement. Veuillez lire attentivement ce manuel avant d'assembler et/ou d'utiliser la machine.

- Assurez-vous que la machine est correctement assemblée et que tous les écrous et boulons sont bien serrés avant de l'utiliser.
- Lubrifiez chaque année toutes les pièces mobiles avec de la vaseline (non acide) ou un spray au silicone.
- Ne portez pas de vêtements amples pour éviter qu'ils ne se prennent dans les pièces mobiles.
- Installez et utilisez l'appareil sur une surface solide et plane.
- Portez toujours des chaussures de sport propres lorsque vous utilisez l'appareil.
- Tenez les enfants et les animaux domestiques à l'écart de l'appareil pendant son utilisation.
- Maintenez votre équilibre lorsque vous utilisez l'appareil.
- Ne placez pas vos doigts ou d'autres objets dans les parties mobiles.

- Avant de vous entraîner, consultez votre médecin afin de déterminer la fréquence, la durée et l'intensité d'entraînement appropriées à votre âge et à votre condition physique. Arrêtez immédiatement l'entraînement si vous ressentez des nausées, un essoufflement, un évanouissement, des maux de tête, des douleurs thoraciques, une oppression ou tout autre malaise.
- Cet appareil ne doit être utilisé que par une seule personne à la fois.
- Cette machine est conçue pour un usage domestique et le poids maximal de l'utilisateur est de 110 kg.
- Laissez 1 à 2 mètres d'espace derrière la machine pour éviter les accidents.
- Placez la machine sur une surface propre et plane. Ne le posez pas sur un tapis épais, qui pourrait gêner la ventilation de l'appareil. Ne placez pas l'appareil à l'extérieur ou près de l'eau.
- Maintenez l'emplacement de stockage sec, propre et de niveau pour éviter tout dommage. Il est interdit d'utiliser l'appareil à des fins autres que la formation.
- Utilisez l'appareil uniquement dans un environnement dont la température ambiante est comprise entre 10 °C et 35 °C. Conservez l'appareil uniquement dans un environnement dont la température est comprise entre 5 °C et 45 °C.

GARANTIE

Les demandes de garantie sont exclues si la cause du défaut est le résultat de:

- Travaux d'entretien et de réparation non effectués par un concessionnaire officiel. Sauf indication contraire du fournisseur.
- En cas d'utilisation inappropriée, de négligence et/ou de mauvais entretien.
- Le fait de ne pas entretenir l'appareil conformément aux instructions du fabricant.

INSTRUCTIONS DE MONTAGE (STEP 01-08)

Des pièces manquantes: Si certaines pièces manquent dans l'emballage, vérifiez soigneusement la mousse de polystyrène et l'appareil lui-même. Certaines pièces (boulons, vis, etc.) sont déjà fixées à l'appareil.

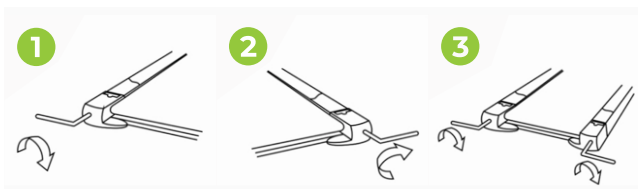
Message d'erreur: Veillez à ce que tous les câbles soient fixés avec soin. Les pieds en aluminium de la console sont très sensibles et doivent rester droits. Si la console donne un message d'erreur après le montage de la machine, il se peut que les pieds en aluminium de la console soient pliés. Redressez les pieds en aluminium, cela peut faire disparaître le message d'erreur.

Boulons à tête hexagonale: Assurez-vous que la clé hexagonale est bien enfoncée dans le boulon avant d'appliquer la force. Cela empêchera la tête du boulon à douille de tourner.

AJUSTEMENT

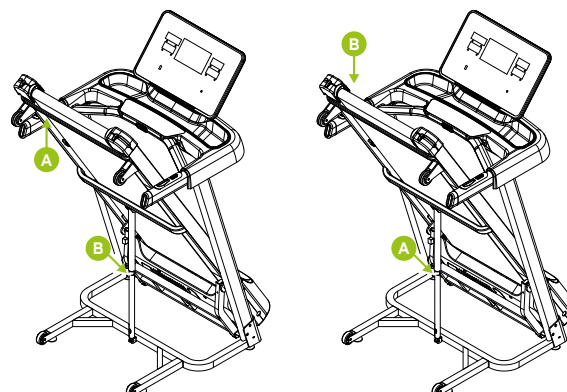
Réglage du tapis roulant

1. **Le tapis roulant dévie vers la gauche:** Mettez le tapis de course en marche, réglez la vitesse sur 2 à 3 km/h sans forcer. Utilisez la clé Allen pour tourner la vis située sur le côté gauche de l'extrémité d'un quart de tour vers la droite (1). Faites marcher le tapis roulant pendant 1 à 2 minutes sans charge. Répétez le processus jusqu'à ce que le tapis roulant soit exactement au milieu.
 2. **Le tapis roulant dévie vers la droite:** Démarrez le tapis roulant, réglez la vitesse sur 2 à 3 km/h sans charge sur le tapis roulant. À l'aide de la clé hexagonale, tournez la vis située sur le côté droit de l'extrémité d'un quart de tour vers la droite (2). Faites marcher le tapis roulant pendant 1 à 2 minutes sans charge.
- Le tapis roulant s'est bloqué:** Utilisez la clé Allen pour tourner la vis du côté droit de l'extrémité d'un demi-tour vers la droite et la vis du côté gauche de l'extrémité d'un demi-tour vers la droite également. Répétez le processus jusqu'à ce que le blocage soit résolu (3)



INSTRUCTIONS DE PLIAGE

REMARQUE! Conservez l'appareil dans une pièce sèche et hors de portée des enfants. Veillez à ce que l'appareil soit stable et sécurisé afin qu'il ne puisse pas se renverser sur des enfants ou des animaux.



Pliage

- Saisir la bande de roulement à deux mains.
- Soulever délicatement la bande de roulement (A) jusqu'à ce que l'on entende le bruit du logement de la tige d'air (B).
- Relâcher doucement et vérifier que la bande de roulement reste en place.

Dépliage

- Maintenir la position B avec les deux mains.
- Soulever légèrement la bande de roulement et donner un léger coup de pied dans le boîtier de la canne à air (A) jusqu'à ce qu'elle bouge.
- Aider la bande de roulement à redescendre doucement, en lui permettant d'atterrir lentement.

ENTRAÎNEMENT AVEC LA FRÉQUENCE CARDIAQUE

Capteurs de main

Cet appareil de fitness VirtuFit est équipé de capteurs manuels permettant de mesurer la fréquence cardiaque. Les capteurs manuels sont fixés à la poignée et ne fonctionnent que si les deux capteurs sont maintenus pendant une longue période. Pour une performance optimale, il est important que les mains soient légèrement humides et exercent une pression constante sur les capteurs. Des mains trop sèches ou trop humides peuvent donner lieu à des lectures anormales.

REMARQUE! N'utilisez jamais les capteurs manuels en combinaison avec un appareil sans fil afin d'éviter toute interférence.

ENTRAÎNEMENT AVEC DES APPS DE FITNESS

VirtuFit ne fournit pas de service pour les applications de fitness tierces telles que Kinomap, iConsole, FitShow etc. Si vous rencontrez des problèmes avec une application de fitness tierce, veuillez contacter le développeur de l'application en question.

Instruction

- Pour scanner le code QR avec un téléphone ou une tablette Android ou IOS, un scanner de code QR est nécessaire. L'application permettant de scanner les codes QR peut être téléchargée sur l'App Store ou le Google Play Store.
- Scannez l'un des codes QR ci-dessous pour accéder directement à la page de l'App Store ou du Google Play Store où l'application de fitness peut être téléchargée.
- Scannez le code QR à droite pour accéder au manuel de l'application de fitness. Le manuel décrit étape par étape comment connecter l'application de fitness à l'appareil, comment l'application de fitness fonctionne et quelles sont ses possibilités.

Fitshow



APP STORE



GOOGLE PLAY



MANUEL

ENTRETIEN

Une utilisation sûre et efficace ne peut être obtenue que si l'appareil est correctement installé et entretenu. Il est de votre responsabilité de veiller à ce que l'appareil soit entretenu régulièrement. Les pièces qui ont été utilisées et/ou endommagées doivent être remplacées avant toute nouvelle utilisation de l'appareil. L'appareil doit être utilisé et rangé uniquement à l'intérieur. Une exposition à long terme aux intempéries et aux changements de température/humidité peut avoir un impact sérieux sur les composants électriques et les pièces mobiles de l'appareil. Débranchez toujours le câble d'alimentation de l'appareil avant de le nettoyer ou de l'entretenir.

Entretien quotidien

- Nettoyez et éliminez la sueur et l'humidité après chaque

utilisation.

- Vérifiez que l'appareil est exempt de poussière et de saleté.
- N'utilisez pas de produits de nettoyage agressifs et maintenez l'appareil à l'abri de l'humidité.

Entretien semestriel

- Inspectez tous les boulons et écrous liés aux parties mobiles de l'unité. Serrez les boulons et les écrous si nécessaire et selon les besoins.
- Vérifiez la mobilité des pièces et composants mobiles de l'appareil. Utilisez le spray silicone si nécessaire et selon les besoins.

Nous vous recommandons ceci:

- Débranchez le cordon d'alimentation après chaque utilisation, surtout si des enfants sont présents.
- Nettoyez le tapis roulant après utilisation.
- Utilisez un chiffon sec pour nettoyer le panneau de commande et les zones autour de l'interrupteur d'alimentation.
- Utilisez un chiffon doux et propre et un détergent pour enlever les taches et la saleté tenaces sur le tapis roulant.
- Conservez votre tapis roulant dans un endroit sûr et sec, à l'abri de la chaleur et de l'eau.

REMARQUE!

- *Toute réparation doit être effectuée par un technicien professionnel, sauf indication contraire du fournisseur ou du fabricant.*
- *Si le tapis roulant a été utilisé pendant deux heures, nous vous recommandons d'attendre dix minutes avant de débrancher le cordon d'alimentation. C'est mieux pour la durabilité de l'appareil.*
- *Pour éviter de glisser pendant l'exercice, le tapis du tapis roulant ne doit pas être trop lâche. Pour éviter l'abrasion entre le rouleau et le tapis roulant et pour garantir le bon fonctionnement de l'appareil, le tapis roulant ne doit pas être trop serré. La distance entre le marchepied et le tapis peut être réglée. La distance entre le marchepied et le tapis doit être de 50 à 75 mm des deux côtés.*

Nettoyage

Un nettoyage général de l'appareil prolongera sa durée de vie. Maintenez l'appareil propre en le dépoussiérant régulièrement. Veillez à nettoyer la zone exposée du tapis roulant et les repose-pieds des deux côtés.

REMARQUE! Portez des chaussures propres pour réduire le risque de salir l'appareil. Au moins une fois par an, retirez le capot pour le dépoussiérer.

AMORCER LE TAPIS ROULANT

Le tapis roulant est équipé d'un tapis de course pré-lubrifié et nécessitant peu d'entretien. L'usure du tapis de course joue un rôle important dans le fonctionnement et la durée de vie du tapis roulant, il faut donc le lubrifier périodiquement. Nous vous recommandons d'inspecter régulièrement la courroie. Contactez-nous dès que vous constatez un quelconque dommage sur le tapis roulant.

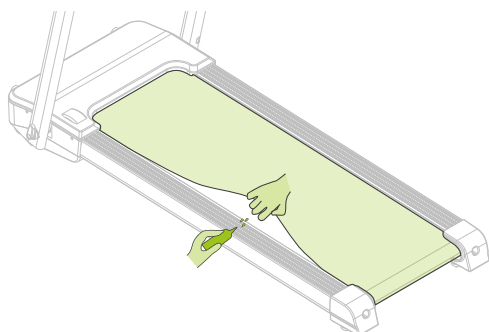
Lubrification recommandée du tapis roulant:

- **Faible utilisation (moins de 3 heures par semaine):** une fois par an
- **Utilisation moyenne (3 à 5 heures par semaine):** tous les six mois
- **Utilisation intensive (plus de 5 heures par semaine):** tous les trois mois

Règle générale: Lubrifiez si le tapis semble sec. En cas de doute, contactez le fabricant. L'utilisation de vaseline (non acide) ou d'huile de silicone est recommandée pour la lubrification du tapis de roulement.

Instructions

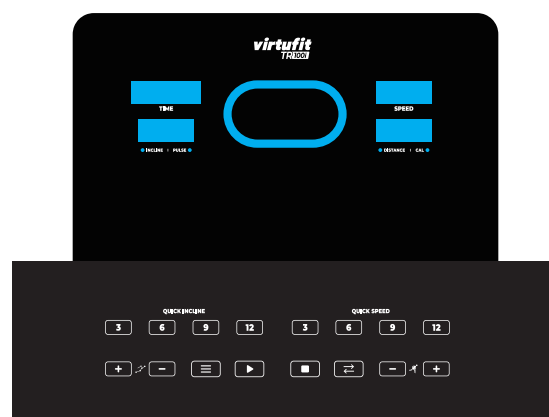
- Soulevez le tapis.
- Appliquez deux à trois gouttes d'huile de silicone sur toute la longueur du tapis de course.
- Mettez le tapis roulant en marche et courez pendant trois minutes sans solliciter le tapis roulant (c'est-à-dire sans vous tenir debout sur le tapis roulant).



REMARQUE! Un entretien régulier permet de prolonger la durée de vie du tapis roulant et d'éviter les blessures!

CONSOLE (FIG. A)

ATTENTION! Lorsque la clé de sécurité est retirée, le tapis roulant effectue un arrêt d'urgence et s'arrête lentement. Lorsque la clé de sécurité est remise en place, le tapis roulant peut être redémarré.



≡
PROG

Appuyez sur cette touche pour sélectionner un programme P01-P40.

↔
MODE

Appuyer sur cette touche pour sélectionner le mode : décompte du mode temps, décompte du mode distance, décompte du mode calories.

▶
START

Appuyez sur cette touche pour démarrer le tapis roulant, le tapis roulant démarre après trois secondes à la vitesse la plus basse ou à la vitesse du programme.

■
STOP

Appuyer sur cette touche pour interrompre ou arrêter le tapis roulant, le tapis roulant s'arrête lentement.

+

SPEED

Pendant le fonctionnement, appuyez sur SPEED + pour augmenter la vitesse de 0,5 km/h. Lorsque la touche est maintenue enfoncée, la vitesse est augmentée en continu.

-

SPEED

Appuyez sur SPEED - pendant le fonctionnement pour diminuer la vitesse de 0,5 km/h. Lorsque la touche est maintenue enfoncée, la vitesse est réduite en continu.

3 | 6 | 9 | 12



QUICK
SPEED

Vitesse 3, 6, 9 et 12. En cours d'utilisation, appuyez sur l'une de ces touches de raccourci pour augmenter instantanément la vitesse en plusieurs étapes.

+

INCLINE



En cours d'utilisation, appuyez sur INCLINE + pour augmenter la pente d'un niveau. Lorsque la touche est maintenue enfoncée, la pente est augmentée en continu.

- 
INCLINE
- Pendant le fonctionnement, appuyez sur INCLINE  pour diminuer la pente d'un niveau. Lorsque la touche est maintenue enfoncée, la pente est diminuée en continu.
- 3 | 6 | 9 | 12**
- QUICK INCLINE**
- Pente 3, 6, 9 et 12 : appuyez sur l'une de ces touches de raccourci pendant l'opération pour régler la pente directement en plusieurs étapes.

ATTENTION! Lorsque les capteurs de fréquence cardiaque sont tenus à deux mains pendant au moins 3 secondes, les données relatives à la fréquence cardiaque s'affichent.




MODE MANUEL

Démarrage rapide

- Allumez l'appareil et fixez correctement la clé de sécurité magnétique sur le panneau.
- Appuyez sur  et l'appareil effectue un compte à rebours jusqu'à 0, après quoi un signal sonore retentit. Le tapis de course commence à fonctionner à une vitesse de 1 km/h.
- Après le démarrage, la vitesse peut être réglée en appuyant sur les touches  du côté **SPEED**.

PROGRAMMES (FIG. B, P01-P40)

Le tapis roulant dispose de 40 programmes P01-P40. Le calendrier des programmes est illustré dans la FIG. B.

- Appuyez sur  lorsque l'appareil est en mode veille pour régler les programmes et appuyez sur  pour démarrer le tapis roulant.
- Après avoir mis le tapis roulant en marche, appuyez immédiatement sur  pour que le tapis roulant passe en mode d'attente afin de voir tous les programmes.
- Chaque programme dure 30 minutes.

DIRECTIVES DE FORMATION (FIG. C, 1-5)

Un programme d'entraînement réussi comprend un échauffement, l'entraînement proprement dit et un retour au calme. Effectuez le programme d'entraînement complet au moins deux, mais de préférence trois fois par semaine et gardez un jour de repos entre les séances d'entraînement. Après quelques mois, l'intensité de l'entraînement peut être augmentée, par exemple à quatre ou cinq fois par semaine.

L'échauffement

L'objectif d'un échauffement est de préparer le corps à l'entraînement et de réduire le risque de blessure. Réchauffez votre corps pendant deux à cinq minutes avant de commencer un entraînement cardio ou musculaire. Faites des exercices qui augmentent le rythme cardiaque et échauffent les muscles qui travaillent. Exemples de ce type d'activités: course, jogging, jumping jacks, saut à la corde et course sur place.

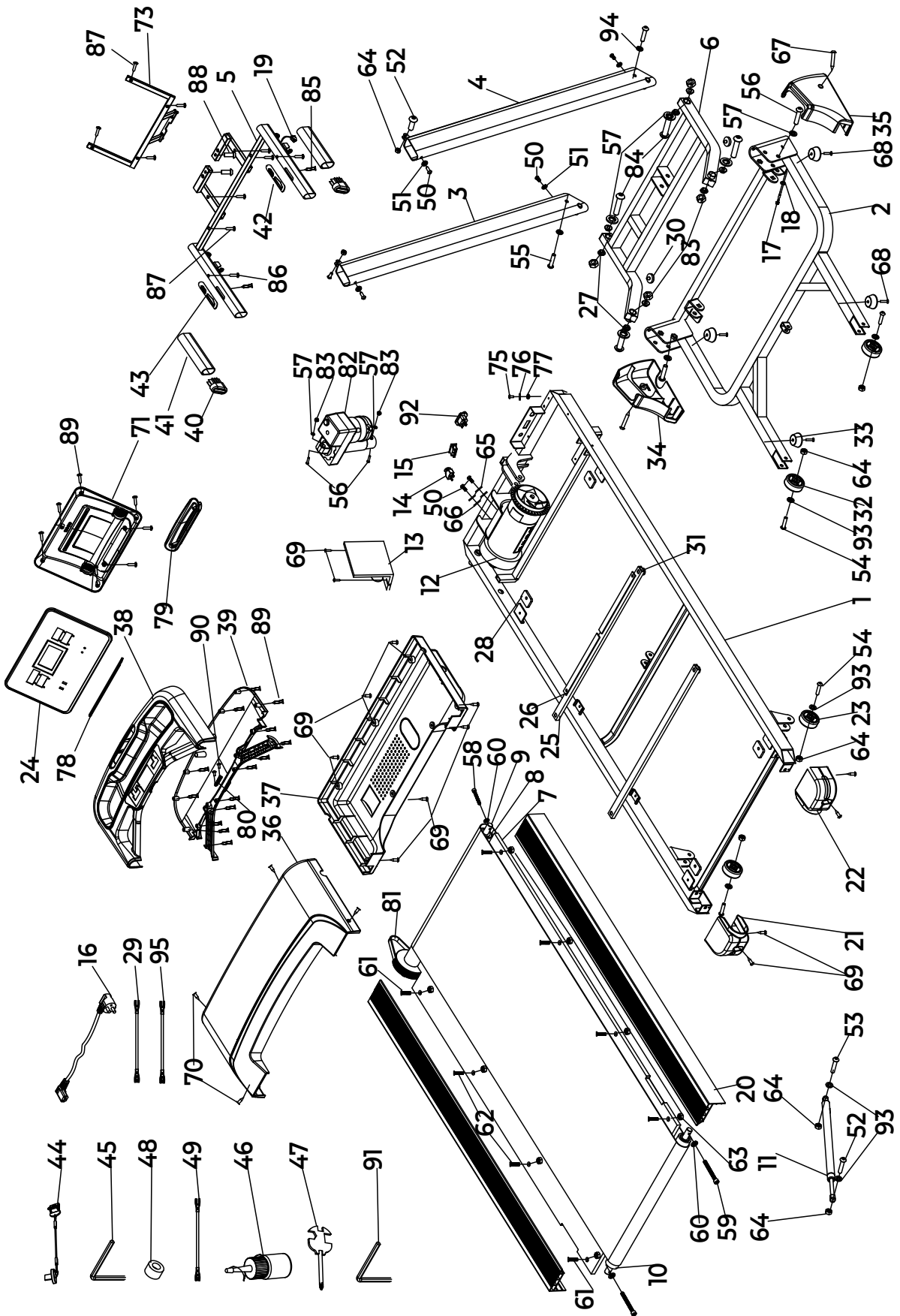
Étirements

Les étirements pendant que les muscles sont chauds sont très importants après un bon échauffement et un bon retour au calme. Il réduit les risques de blessures. Les exercices d'étirement doivent être maintenus pendant 15 à 30 secondes. Voici quelques exemples d'exercices d'étirement:

- Toe touch (Fig. C-1)
- Inner thigh stretch (Fig. C-2)
- Hamstring stretch (Fig. C-3)
- Achilles stretch (Fig. C-4)
- Side stretch (Fig. C-5)

Retour au calme

Le but du refroidissement est de ramener le corps à sa position de repos (presque) normale à la fin de l'entraînement. Un bon retour au calme réduit lentement votre rythme cardiaque et favorise la récupération.



#	DESCRIPTION	QTY.
1	Main frame assembly	1
2	Base frame assembly	1
3	Left column assembly	1
4	Right column assembly	1
5	Electronic watch rack assembly	1
6	Lifting frame assembly	1
7	Running board	1
8	Running belt	1
9	Front drum	1
10	Rear drum	1
11	Pneumatic rod	1
12	DC motor	1
13	Control circuit board	1
14	Overload protector	1
15	Power switch	1
16	Power cord	1
17	Lower segment line of electronic watch	1
18	Annular thread guard plug B	2
19	Upper segment line of electronic watch	1
20	Side strip	2
21	Right posterior corner guard	1
22	Left rear corner guard	1
23	Roller	2
24	Panel upper cover	1
25	Running board reinforcing rod	2
26	Reinforcing rod cushion	4
27	Spacer sleeve	8
28	Buffer pad	4
29	Single branch line	1
30	Barb cushion	2
31	Nylon isolation pad	4
32	Carrying wheel	2
33	Foot pad	4
34	Left bottom cover ST4.2*13	1
35	Right bottom cover	1
36	Motor upper cover	1
37	Motor lower cover	1
38	Upper cover of electronic watch	1

#	DESCRIPTION	QTY.
39	Lower cover of electronic watch	1
40	Inclined pipe plug	2
41	Sponge sheath	2
42	Speed addition and subtraction quick health	1
43	Start and stop shortcut key	1
44	Safety lock	1
45	5 # hexagon wrench 5 mm	1
46	Oil bottle	1
47	With cross wrench - S = 13, 14, 15	1
48	Magnetic ring	2
49	Brown single branch	1
50	Hexagon socket flat round head screw M8*16	12
51	Arc gasket 20*8*1.5	4
52	Hexagon socket flat round head screw M8*25	3
53	Hexagon socket flat round head screw M8*45	1
54	Hexagon socket flat round head screw M8*40	4
55	Hexagon socket flat round head screw M8*42	2
56	Hexagon socket flat round head screw M10*55	2
57	Internal serrated lock washer - 10	6
58	Hexagon socket flat round head screw M6*55	1
59	Hexagon socket flat round head screw M6*65	2
60	Internal serrated lock washer - 6	3
61	Hexagon socket countersunk head screw M6*30	4
62	Hexagon socket countersunk head screw M6*37	4
63	Type 1 non-metallic insert hexagon lock - M6	8
64	Type 1 non-metallic insert hexagon lock - M8	8
65	Plain washer class C - 8	2
66	Standard spring washer - 8	2
67	Cross recessed pan self-tapping self-drilling screws ST 4.2*19	2
68	Cross recessed pan self-tapping self-drilling screws ST 4.2*25	4
69	Cross recessed pan self-tapping self-drilling screws ST 4.2*12	18
70	Cross recessed countersunk self-tapping screws ST 4.2*19	4
71	Panel upper cover	1
72	Cross recessed countersunk head tapping screws ST 4.2*45	2
73	Panel assembly	1
74	Cross recessed pan head tapping screws - ST 4.2*40	2
75	Cross recessed pan head screws - M5*8	1
76	Standard spring washer - 5	1

#	DESCRIPTION	QTY.
77	Internal serrated lock washer - 5	1
78	Safety lock fixing seat	1
79	Panel decorative cover	1
80	Acrylic noodle patch	1
81	Multi-wedge belt	1
82	Lifting motor	1
83	Type 1 non-metallic insert hexagon lock - M10	6
84	Square neck screws with round head - M10*45	4
85	Cross recessed countersunk head tapping screws - ST4.2*55	2
86	Cross recessed pan head tapping screws with pad - ST4.2*25	2
87	Cross recessed pan head tapping screws with pad - ST4.2*12	8
88	Hexagon socket head screws - M8*15	2
89	Cross recessed pan head tapping screws - 4.2*13	22
90	Cross recessed pan head tapping screws - ST2.6*9.5	2
91	6 # hexagon wrench	1
92	Power cable	1
93	Internal serrated lock washer	6
94	Flat washer	2
95	AC line	1

virtufit

VIRTUFIT

Twekkelerweg 263
7553 LZ Hengelo
The Netherlands
info@virtufit.nl

VIRTUFIT SERVICE

Do you have a problem with your VirtuFit fitness equipment and would you like to submit a service request? Then scan the QR code on the right and fill in our service form.

